

# HIGH PERFORMANCE **SPORT PADS**



# INDEX

Introduction  
Introduzione  
Einleitung

Legend **5**  
Legenda  
Legende

Friction material characteristics **6**  
Caratteristiche del materiale d'attrito  
Eigenschaften des Reibmaterials

## SECTION 1

Application list **8**  
Elenco applicazioni  
Anwendungsliste

## SECTION 2

Pad Drawings **30**  
Disegni Pastiglie  
Zeichnungen Bremsbeläge

## SECTION 3

Cross reference of Brembo Performance and Brembo  
AfterMarket part numbers **60**  
Corrispondenza codici Brembo Performance e Brembo AfterMarket  
Vergleichliste von Brembo Performance und Brembo AfterMarket  
Artikelnummern



## **Brembo è il leader dei freni**

Brembo è leader mondiale dei sistemi frenanti per auto, moto, veicoli industriali e commerciali. È attiva in 3 continenti, con stabilimenti produttivi in 15 nazioni e distribuzione in 70 paesi del mondo.

## **La ricerca non si ferma mai**

Il Gruppo Brembo conta sulla collaborazione di oltre 9.000 collaboratori, di cui circa il 10% è composto da ingegneri e specialisti di prodotto che lavorano nella ricerca e sviluppo.

## **Tutto è prodotto in Brembo**

Tutto il processo produttivo è integrato all'interno dell'azienda: progettazione, sviluppo, test, lavorazione, controllo qualità, distribuzione, assistenza.

## **Il freno Brembo è sinonimo di qualità superiore**

I prodotti Brembo sono realizzati in conformità alle normative ISO 9004 e ISO 14001. La gamma aftermarket è accompagnata dalla Garanzia Brembo e dalla certificazione ABE/TÜV del Servizio Federale Tedesco per la Sicurezza Stradale.

## **I grandi scelgono Brembo**

Brembo produce sistemi frenanti di primo equipaggiamento per le maggiori aziende: Aston Martin, Audi, BMW, Cadillac, Chrysler, Ferrari, Ford, General Motors, Honda, Lexus, Jeep, Land Rover, Mercedes-Benz, Mitsubishi, Nissan, Porsche, Subaru, Volkswagen, Volvo, per citare alcuni esempi.

## **Brembo vince nel racing**

Da oltre 40 anni Brembo equipaggia le auto e le moto dei grandi piloti nelle più importanti gare mondiali di automobilismo e motociclismo.

## **Brembo High Performance**

L'esperienza accumulata in anni di ricerca e nel campo delle competizioni ha consentito di creare linee di prodotto differenziate in base ai generi ed alle diverse modalità di ricerca e sviluppo applicate.

Grazie ai risultati raggiunti, gli appassionati dello sport automobilistico che sostituiscono l'impianto frenante originale con prodotti Brembo High Performance possono non soltanto migliorare la guida in termini di prestazioni e di sicurezza, ma anche incrementare i contenuti di stile dell'autoveicolo.

Per ulteriori informazioni consultate il nostro sito web [www.brembo.com](http://www.brembo.com)





### **Brembo, #1 for brakes**

Brembo is the world's leading maker of braking systems for motor cars, motorcycles and commercial vehicles. The organization operates on 3 continents, with production sites in 15 countries and sales networks in 70 national territories around the world.

### **Research never ceases**

The Brembo Group has over 9.000 collaborators, nearly 10% of whom are engineers and product specialists involved in research and development.

### **Brembo - all done in-house**

The entire manufacturing process is an in-house operation: design, development, testing, machining, quality control, distribution and service.

### **Brembo means top quality**

Brembo brakes are manufactured in conformity with ISO 9004 and ISO 14001 standards. Aftermarket products are covered by the Brembo Warranty and carry ABE/TÜV certification from the German Federal Road Safety Office.

### **Top vehicle makers use Brembo**

Brembo produces original equipment braking systems for the top vehicle makers: Aston Martin, Audi, BMW, Cadillac, Chrysler, Ferrari, Ford, General Motors, Honda, Lexus, Jeep, Land Rover, Mercedes-Benz, Mitsubishi, Nissan, Porsche, Subaru, Volkswagen, Volvo, to name but a few.

### **Brembo, racing, and winning**

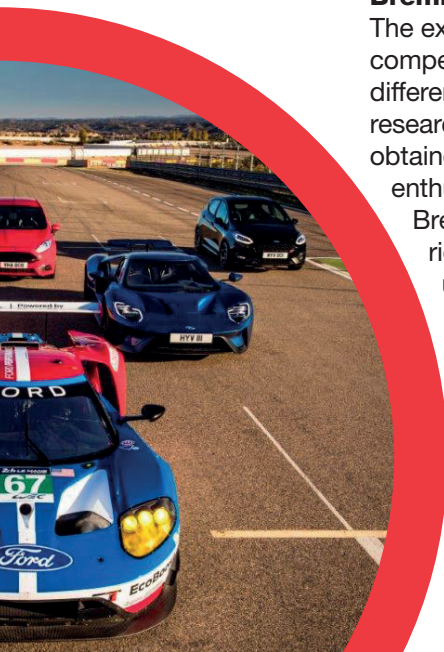
For over 40 years, Brembo has been equipping the cars and bikes of elite drivers and riders competing in motor sports at world championship levels.

### **Brembo High Performance**

The experience accumulated through years of intensive research in the competition field has allowed us to create product lines that are differentiated on the basis of the application types and different research and development procedures adopted. Thanks to the results obtained, car sports

enthusiasts, who insist on replacing original brake systems with Brembo High Performance equipment, are able to improve their riding style in terms of performance and safety while also ramping up the overall aesthetic appeal of their machines.

For additional information, please refer to our website [www.brembo.com](http://www.brembo.com)





# INTRODUCTION



## **Brembo ist führender Bremsenhersteller**

Brembo ist der weltweit führende Hersteller von Bremsanlagen für PKW, Motorräder und NFZ. Brembo ist auf 3 Kontinenten tätig, verfügt über Produktionswerke in 15 Ländern und vertreibt die eigenen Produkte in 70 Ländern.

## **Forschung und Entwicklung hält nie an**

Die BREMBO Gruppe kann auf 9.000 engagierte Mitarbeiter zählen, fast 10% von ihnen sind Ingenieure und Produktspezialisten in Forschung und Entwicklung.

## **Alles wird in Eigenregie hergestellt**

Der gesamte Produktionsprozess ist firmenintern integriert: Planung, Entwicklung, Tests, Bearbeitung, Qualitätskontrolle, Vertrieb, Service.

## **Brembo bedeutet Top-Qualität**

Die Herstellung der Brembo-Produkte erfolgt nach den Vorgaben der Normen ISO 9004 und ISO 14001. Alle Aftermarket-Produkte sind mit Brembo-Garantie und ABE/TÜV Zulassungszertifikat versehen.

## **Die Grossen wählen Brembo**

Brembo produziert Bremsanlagen zur Erstausrüstung der Fahrzeuge weltweit führender Automobilhersteller: Aston Martin, Audi, BMW, Cadillac, Chrysler, Ferrari, Ford, General Motors, Honda, Lexus, Jeep, Land Rover, Mercedes-Benz, Mitsubishi, Nissan, Porsche, Subaru, Volkswagen, Volvo, um nur einige Beispiele zu nennen.

## **Brembo gewinnt im Rennsport**

Seit mehr als 40 Jahren rüstet Brembo die Fahrzeuge und Motorräder der erfolgreichsten Rennfahrer für die weltweit wichtigsten Rennsportereignisse aus.




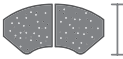
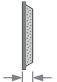

## **Brembo High Performance**

Die in langjähriger Forschungstätigkeit und auf dem Gebiet des Rennsports gesammelte Erfahrung führte je nach Genre und den angewandten unterschiedlichen Forschungs- und Entwicklungsansätzen zur Entstehung differenzierter Produktlinien. Dank der erzielten Ergebnisse können die Automobilsportbegeisterten, die die Original-Bremsanlage durch Brembo High Performance Produkte ersetzen, nicht nur die Fahrt in punkto Leistung und Sicherheit verbessern, sondern auch die Aesthetik des Fahrzeugs erhöhen.



Für weitere Informationen, besuchen Sie bitte unsere Webseite [www.brembo.com](http://www.brembo.com)

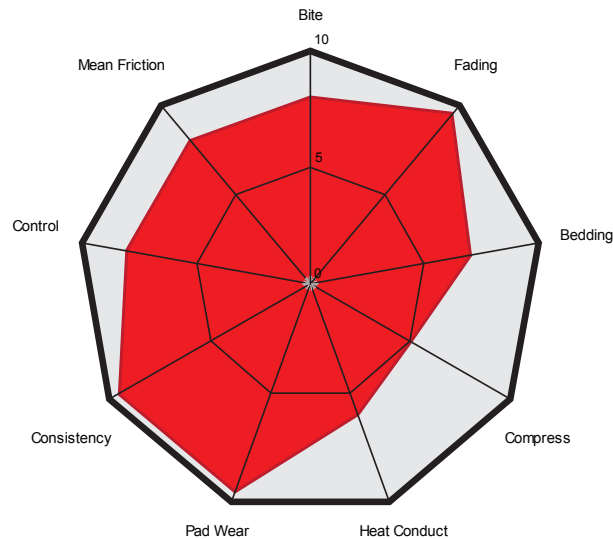
# CAPTIONS

	ENGLISH	ITALIANO	TEDESCO
	Application	Applicazione	Einbau
<b>kW</b>	Engine power	Potenza motore	Motorleistung
	Year	Anno	Jahr
	Front axle	Asse anteriore	Vorderachse
	Rear axle	Asse posteriore	Hinterachse
<b>Part Number</b>	Part number	Codice articolo	Artikelnummer
	Information	Informazioni	Information
	Pad length (mm)	Lunghezza pastiglia (mm)	Länge des Bremsbelags (mm)
	Pad height (mm)	Altezza pastiglia (mm)	Höhe des Bremsbelags (mm)
	Pad thickness (mm)	Spessore pastiglia (mm)	Stärke des Bremsbelags (mm)
	WVA: International brake pad code	WVA: Codice internazionale della pastiglia	WVA: Internationaler Code des Bremsbelags

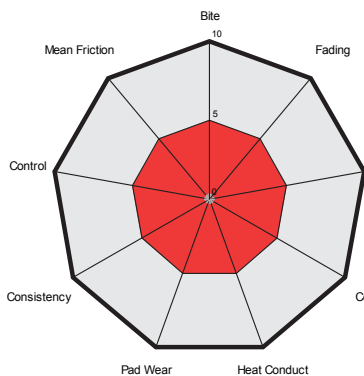
General Notes: Pads references are available on TecDoc, on the "High Performance" section.  
The data contained in this catalogue are provided for information purposes only and therefore may be subject to change.

# FRICTION MATERIAL CHARACTERISTICS

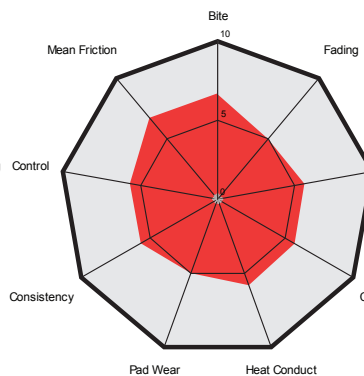
## HP2000



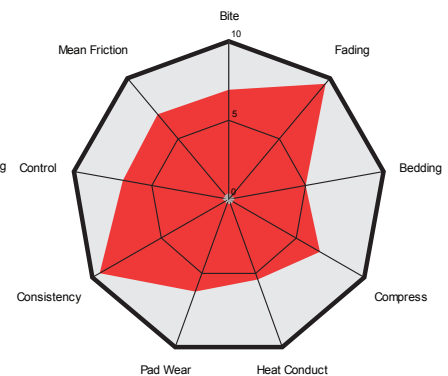
## OE



## Market Benchmark



## HP1000



### Caratteristiche del materiale d'attrito

**Attacco:** Attrito misurato all'inizio della frenata

**Attrito medio:** Livello medio dell'attrito durante la frenata

**Modulabilità:** Coefficiente d'attrito elevato e costante nelle varie condizioni di utilizzo

**Consistenza:** Capacità di mantenere costante il coefficiente d'attrito

**Usura pastiglia:** Riduzione dello spessore pastiglia dovuto all'uso

**Conducibilità termica:** Capacità di trasmissione del calore attraverso il materiale

**Compressibilità:** Elasticità del materiale quando soggetto a compressione

**Rodaggio:** Capacità di rodare velocemente il disco

**Fading:** Riduzione del coefficiente d'attrito dovuto alla temperatura.

### OMOLOGAZIONE STRADALE:

Le pastiglie Sport Brembo hanno ottenuto l'omologazione secondo la normativa ECE-R90, con marcatura che ne consente l'identificazione.



### Friction material characteristics

**Bite:** Friction measured at the beginning of braking action

**Mean Friction:** Average level of friction during braking

**Control:** High level and constant coefficient of friction in the various conditions of use

**Consistency:** Capability to repeat the same curve of friction stop after stop

**Pad wear:** Loss of material (reduction of thickness)

**Heat Conduct:** Thermal conductivity of the material

**Compressibility:** Elasticity of the material during compression

**Bedding:** Ability to make the disc ready for a right use in short time

**Fading:** Reduction of friction level due to the temperature.

### HOMOLOGATION FOR ROAD USE:

Brembo Sport pads are ECE-R90 approved, with marking to enable identification.



### Eigenschaften des Reibmaterials

**Griffigkeit:** Reibung gemessen zu Beginn der Bremsung

**Mittlere Reibung:** Mittelwert der Reibkraft während der Bremsung

**Kontrolle:** Hohe, konstante Reibkraft bei unterschiedlichen Nutzungsbedingungen

**Beständigkeit:** Fähigkeit, die Reibung nach jeder Bremsung konstant zu halten

**Verschleiß des Belages:** durch Abnutzung (Minderung der Belagstärke)

**Thermisches Verhalten:** Wärmeleitfähigkeit

**Verdichtbarkeit:** Verdichtung des Materials während der Bremsung

**Einbremsen:** Fähigkeit, die Bremsscheibe schnellstmöglich und optimal einzubremsen

**Fading:** Herabsetzung der Reibwerte aufgrund der Temperatur.

### ZULASSUNG FÜR STRASSENVERWENDUNG

Die Brembo Sportsbeläge verfügen über die Betriebserlaubnis nach ECE-R90 und die entsprechende Kennmarkierung.















**ELENCO  
APPLICAZIONI  
APPLICATIONS LIST  
ANWENDUNGSLISTE**










	kW				
			F - Part Number	R - Part Number	
<b>ABARTH</b>					
<b>124 SPIDER</b>					
1.4	125	03.16		R	07.B315.31
<b>500 / 595 / 695 (312)</b>					
1.4	103	08.08	F	07.B314.21	R 07.B315.30
1.4	99-140	08.08	F	07.B314.40	R 07.B315.30
					With Brembo Front Brake With Bosch Front Brake
<b>500C / 595C / 695C (312)</b>					
1.4	99	01.11	F	07.B314.04	R 07.B315.30
1.4	103	09.09	F	07.B314.21	R 07.B315.30
1.4	103-121	09.09	F	07.B314.40	R 07.B315.30
					With Brembo Front Brake With Bosch Front Brake
<b>ACURA</b>					
<b>LEGEND II &amp; III</b>					
3.2, 3.5	151	08.91	F	07.B314.44	
<b>NSX</b>					
3.0, 3.2	188-206	01.90	F	07.B314.44	
<b>RSX (DC)</b>					
2.0 Sport, 2.0 Vtec Sport	118-162	10.01	F	07.B314.45	
<b>ALCON</b>					
Equivalent to PNP 4497			F	07.B314.77	
<b>ALFA ROMEO</b>					
<b>4C / SPIDER</b>					
1.8	177	03.13	F	07.B314.21	
<b>33 (907A)</b>					
1.4, 1.5, 1.7, 1.8TD	58-101	01.86	09.94		R 07.B315.24
<b>75 (162B)</b>					
1.8Turbo, 2.0TS	110	05.85	08.89	F	07.B315.27
<b>90 (162)</b>					
2,5	110-114	10.84	07.87	F	07.B315.27
<b>145 &amp; 146</b>					
1.4, 1.6, 1.7, 1.8, 2.0, 1.9D, 1.9TD, 1.9JTD	66-114	07.94	01.01	F	07.B314.29
<b>147</b>					
2.0, 1.9JTD		01.00		F	07.B314.29
3.2 GTA	184	02.03	10.03	F	07.B314.39
3.2 GTA	184	11.03		F	07.B314.48
<b>155 (167)</b>					
1.6, 1.7, 1.8, 2.5, 1.9TD, 2.0Turbo, 2.5TD	83-121	02.92	12.97	F	07.B314.29
<b>156 (932)</b>					
1.6, 1.8, 2.0 16V Twin Spark, 1.9JTD, 1.9JTD 16V, 2.0JTS, 2.4JTD, 2.5 V6 24V	85-141	10.00	09.05	F	07.B314.29
3.2 GTA	184	03.02	09.05	F	07.B314.39
3.2 GTA	184	03.02	09.05	F	07.B314.48
					Until 0588972 From 0588973 on
<b>159</b>					
1.8Tbi, 3.2JTS, 2.4JTD	147-191	09.05	12.07	F	07.B314.48
<b>159 SPORTWAGON</b>					
1.8MPI, Tbi, 1.9JTD, JTS, 2.0JTD, 2.2JTS, 2.4JTD, Q4, 3.2JTS, Q4	85-191	03.06	01.11	F	07.B314.64
<b>166 (936)</b>					
2.0, 2.5, 3.0, 3.2, 2.4JTD	129-176	09.98	10.00	F	07.B314.48
<b>BRERA</b>					
1.8Tbi, 3.2JTS, 2.4JTD	147-191	01.06		F	07.B314.48
<b>GIULIETTA (940)</b>					
1.4 Bi Fuel, 1.4TB, 1.6JTD	77-88	04.10		F	07.B314.79
1.4 Bi Fuel, 1.4TB, 1.8Tbi, 1.6, 1.8&2.0 JTD	85-177	04.10		F	07.B314.80
					(With Brembo Caliper)
<b>GT</b>					
1.8, 1.9, 2.0	103-121	11.03	05.10	F	07.B314.29
3.2 GTA	176	11.03	05.10	F	07.B314.48
<b>GTV (916)</b>					
3.0V6, 3.2V6	160-176	10.96		F	07.B314.39
1.8, 2.0, 2.0TSpark, 2.0Turbo, 2.0JTS	106-148	06.95		F	07.B314.29
<b>MITO (955)</b>					
0.9, 1.4	51-70	09.08		F	07.B314.04
1.4TB, 1.4Turbo	110-114	09.08		F	07.B314.21
<b>RZ</b>					
3.0V6	152	01.92	12.94	F	07.B315.27
<b>SPIDER (916S)</b>					
1.8, 2.0 TSpark	106-148	05.98	04.05	F	07.B314.29
3.0V6, 3.2V6	160-176	01.99	04.05	F	07.B314.39
<b>SPIDER (939)</b>					
1.8Tbi, 3.2JTS	147-191	09.06		F	07.B314.48

	kW								
		31	F - Part Number	R - Part Number					
<b>SZ</b> 3.0 V6	152	09.89	08.94	F	07.B315.27				
<b>ALPINA</b>									
<b>ROADSTER (Z4)</b> 3.3	221	07.03	12.05		07.B314.31	R	07.B315.26		<b>NEW</b>
<b>ROADSTER (Z8)</b> 4.8 V8	280	06.02				R	07.B315.01		
<b>AP RACING</b>									
Equivalent to CP 3894				F	07.B314.91				
Equivalent to CP 7400 D58				F	07.B314.61				
Equivalent to CP 6600 D54				F	07.B314.62				
Equivalent to CP 7600 D46						R	07.B315.32		
<b>ASTON MARTIN</b>									
<b>DB9</b>	336-380	04.04	12.16	F	07.B314.48	R	07.B314.03		
<b>VANQUISH</b>	343-348	01.01	12.07	F	07.B315.73	R	07.B314.03		<b>NEW</b>
<b>VANTAGE</b> V8		04.04		F	07.B314.48	R	07.B314.03		
<b>AUDI</b>									
<b>80 (8C, B4)</b> RS2 Quattro	232	03.94	05.95	F	07.B314.14	R	07.B314.13		
<b>100 (4A,C4)</b> 1.6, 2.0, 2.3, 2.6, 2.8, 2.4D, 2.5TDi	74-128	12.90	06.94	F	07.B314.69				
<b>A1 (8X1)</b> 1.2TFSI, 1.4TFSI, 1.6TDI, 2.0TDI	63-105	05.10		F	07.B314.53	R	07.B315.25		
2.0TFSI Quattro	188	03.12		F	07.B314.52	R	07.B315.25		
<b>A2 (8Z0)</b> 1.4, 1.4TDI, 1.6FSI	55-81	02.00	08.05	F	07.B314.53	R	07.B315.25		
<b>A3 (8L1)</b> 1.6, 1.8, 1.9TDI	66-81	06.96	07.01	F	07.B314.53	R	07.B315.25		
1.8T, S3, 1.9TDI	92-165	06.96	07.03	F	07.B314.54 or .70*	R	07.B315.25		*different wear indicators
<b>A3 (8P1)</b> 1.6, 1.2TSI, 1.4TFSI, 1.6FSI, 1.6&1.9TDI	75-92	05.03		F	07.B314.53	R	07.B315.22or.25		Changes by R disc Ø ref note 1
2.0, 2.0FSI, 1.4, 1.8&2.0TSFI, 2.0TDI	92-147	05.03		F	07.B314.52	R	07.B315.22or.25		Changes by R disc Ø ref note 1
3.2V6, S3	184-195	07.03		F	07.B314.55	R	07.B315.22or.25		Changes by R disc Ø ref note 1
<b>A3 (8PA)</b> 1.6, 1.2TSI, 1.4TFSI, 1.6FSI, 1.6&1.9TDI	75-92	05.03		F	07.B314.53	R	07.B315.22or.25		Changes by R disc Ø ref note 1
2.0, 2.0FSI, 1.4, 1.8&2.0TSFI, 2.0TDI	92-147	05.03		F	07.B314.52	R	07.B315.22or.25		Changes by R disc Ø ref note 1
3.2 V6 Quattro, S3 Quattro	184-195	09.04	03.13	F	07.B314.55	R	07.B315.22		<b>NEW</b>
RS3	250	04.11		F	07.B314.83	R	07.B315.22		<b>NEW</b>
<b>A3 (8V1, 8VK)</b> 1.0, 1.2, 1.4, 1.8, 2.0 TFSI, quattro, 1.6&2.0TDI, quattro	77-210	11.12		F	07.B314.93	R	07.B315.41		For PR number 1ZA,1ZD,1ZE,1ZP
S3 Quattro	206-221	11.12		F	07.B314.81	R	07.B315.41		For PR number 1LC,1LJ <b>NEW</b>
RS3 Sportback Quattro	250	01.11	12.12	F	07.B314.83				
<b>A3 (8VA, 8VF)</b> 1.0, 1.2, 1.4, 1.8, 2.0 TFSI, quattro, 1.6&2.0TDI, quattro	77-210	11.12		F	07.B314.93	R	07.B315.41		For PR number 1ZA,1ZD,1ZE,1ZP
S3 Quattro	206-228	11.12		F	07.B314.81	R	07.B315.41		For PR number 1LC,1LJ <b>NEW</b>
RS3 quattro	270-294	03.15		F	07.B314.01				For PR number 1LU, 1LH
<b>A4 (8D2, B5)</b> 1.8, 2.4, 2.6, 2.8, 1.8T, 1.9 & 2.5TDI	81-147	01.95	11.00	F	07.B314.54	R	07.B315.25		
2.7T, 2.7BTurbo, S4	169-195	09.97	11.00	F	07.B314.55	R	07.B315.25		
<b>A4 (8E2, B6)</b> 1.6, 2.0, 2.4, 3.0, 1.8T, 2.0FSI, 1.9,2.0&2.5TDI	75-162	11.01	12.04	F	07.B314.54	R	07.B315.00or.25		Changes by R disc Ø ref note 1
<b>A4 (8EC, B7)</b> 1.6,2.0,1.8T,2.0&3.2FSI,2.0TFSI, 1.9,2.0,2.5&3.0TDI	85-160	11.04	01.06	F	07.B314.54	R	07.B315.00.22or.25		Changes by R disc Ø ref note 1
2.0&3.2TFSI, 2.5, 2.7&3.0TDI	125-253	11.04	01.06	F	07.B314.55	R	07.B315.00.22or.25		Changes by R disc Ø ref note 1
RS4	309	05.08		F	07.B314.01	R	07.B315.00		
<b>A4 (8K2, B8)</b> 1.8TSFI, 2.0&3.2FSI, 2.0, 2.7&3.0TDI	105-195	11.07	12.15	F	07.B314.05	R	07.B315.56		<b>NEW</b>
S4 Quattro	245	11,08	12,15			R	07.B315.56		<b>NEW</b>
RS4	331	05,12	08,15			R	07.B315.57		<b>NEW</b>
<b>A5 (8T, 8F7)</b> 1.8&2.0TFSI, 3.0FSI, S5, 2.0, 2.7&3.0TDI	118-245	06.07	01.17	F	07.B314.05	R	07.B315.56		<b>NEW</b>
S5	245-260	06,07	01,17			R	07.B315.56		<b>NEW</b>
RS5	331	03,10	08,15			R	07.B315.57		<b>NEW</b>
<b>A6 (4A, C4)</b> 1.8, 2.0, 2.3, 2.4, 2.6, 2.8, 1.9&2.5TDI	75-142	06.90	10.97	F	07.B314.54 or 69*				*different wear indicators










	kW								
			F - Part Number	R - Part Number					
<b>A6 (4B2, C5)</b>									
1.8, 2.0, 2.4, 2.8, 1.8T, 1.9TDI	85-142	02.97	01.05	F	07.B314.54	R	07.B315.25		
2.5, 2.7, 2.8, 3.0, 3.7, 4.2, Quattro, S6	110-220	07.97	01.05	F	07.B314.71	R	07.B315.25		NEW
RS6	331	07.02	01.05	F	07.B314.01	R	07.B315.00		
<b>A6 (4F2, 4F5, C6)</b>									
2.4, 2.0TFSI, 2.0&2.7TDI	89-132	05.04		F	07.B314.54	R	07.B315.00or.22	Changes by R disc Ø ref note 1	
3.0, 4.2, 2.8, 3.2&4.2FSI, 3.0TFSI, 2.7&3.0TDI	120-257	05.04		F	07.B314.55	R	07.B315.00or.22	Changes by R disc Ø ref note 1	
4.2, 4.2FSI	246-257	05.04		F	07.B314.55	R	07.B315.00		NEW
RS6 quattro	426	09.08	08.10	F	07.D435.19				
<b>A6 (4G2, C7, 4GC)</b>									
2.0TFSI, 2.8FSI, 3.0TFSI, 2.0TDI, 3.0TDI	120-228	01.10		F	07.B314.05 OR *D435.23	R	07.B315.57		NEW
S6	309-331	02.12		F	07.D435.23	R	07.B315.57		NEW
RS6 quattro & performance quattro	412-	01.08		F	07.D435.19				NEW
<b>A7 (4GA, 4GF)</b>									
2.8FSI, 3.0TFSI, 3.0TDI, 3.0 TDI Quattro	150-228	10.10		F	07.B314.05	R	07.B315.57		NEW
S7	309-331	02.12		F	07.D435.23	R	07.B315.57		NEW
RS7 quattro & performance quattro	412	10.13		F	07.D435.19	R	07.B315.57		NEW
<b>A8 (4D2, 4D8)</b>									
2.8, 3.7, 4.2, 6.0, S8, 2.5&3.3TDI	110-265	03.94	11.98	F	07.B314.54	R	07.B315.25		
<b>A8 (4E_)</b>									
3.0, 3.7, 6.0, 2.8, 3.2&4.2FSI, S8, 3.0, 4.0&4.2TDI	154-331	03.03	07.10	F	07.B314.55	R	07.B315.00		
<b>ALLROAD (4BH, C5)</b>									
2.5TDI quattro, 2.7 quattro, 2.7T quattro, 4.2 V8 quattro	120-220	05.00	08.05	F	07.B314.71			For PR number 1LA	
<b>Q2 (GA)</b>									
1.0TFSI, 1.4TFSI, 1.6TDI, 2.0TDI	85-140	06.16		F	07.B314.93	R	07.B315.41	For PR number 1ZA, 1ZD	
<b>Q3 (8U)</b>									
1.4&2.0 TFSI, 2.0 TDI	88-162	06.11		F	07.D435.04	R	07.B315.55	For PR Number 1LJ	NEW
RS 2.5 quattro	228-250	05.15		F	07.B314.01	R	07.B315.57	For PR number 1LA, 1ZT	NEW
RS 2.5 quattro & perf. quattro	250-	05.13		F	07.D435.19	R	07.B315.57	For PR number 1KJ,1KQ	NEW
<b>Q5</b>									
2.0TFSI, 3.2FSI, 2.0&3.0TDI	105-199	11.08		F	07.B314.05	R	07.B315.56		NEW
SQ5 TFSI,TDI	230-260	12.12				R	07.B315.56		NEW
<b>Q7</b>									
4.2FSI, 4.2&6.0 TDI	155-368	03.06	08.15	F	07.B314.20	R	07.B315.70		NEW
3.0 TDI	155-176	03.06	08.15	F	07.B314.20	R	07.B315.16		
<b>R8</b>									
4.2, 5.2 V8	309-419	04.07	07.15	F	07.B314.01	R	07.B315.73		NEW
5.2 V8	386-449	07.15		F	07.B314.19	R	07.B315.73		NEW
<b>TT (8N3)</b>									
1.8T, 3.2VR6	110-184	10.98	06.06	F	07.B314.27, .54 or .70*	R	07.B315.25	*different wear indicators	
<b>TT (8J3, 8J9)</b>									
1.8&2.0 TSFI, 2.0TDI	118-147	05.08	12.14	F	07.B314.52				
2.0, 2.0TSFI, 2.5TFSI, 3.2V6	184-200	05.08	12.14	F	07.B314.27or.55	R	07.B315.22		
2.5 TSFI RS Quattro	250-265	07.09		F	07.B314.83	R	07.B315.22	For PR number 1LA	
<b>TT (FV3, FV9)</b>									
2.0 TDI, 1.8&2.0TSFI, 2.0TTS quattro	135-228	07.14		F	07.B314.93	R	07.B315.41		
2.5 RS quattro	294	10.16		F	07.B314.01			For PR number 1LU, 1ZK	
<b>BREMBO GT KITS</b>									
4 piston 110mm Pad				F	07.B314.03				
4 Piston 132mm Pad				F	07.B315.73				
6 Piston Narrow Annulus				F	07.B314.58				
6 piston Medium Annulus				F	07.B314.59				
8 Piston				F	07.B314.01				
<b>BMW</b>									
<b>1 (E81, E87)</b>									
116i, 118i, 120i, 130i, 116d, 118d, 120d, 123d	85-190	04.07	12.11	F	07.B314.02			With Performance Brake	
116i, 118i, 120i, 116d, 118d	66-105	11.03	09.12	F	07.B314.84				
120i, 120d	110-120	03.07	01.07	F	07.B314.33				
120i,130i, 120d, 123d,	110-190	01.06		F	07.B314.34				
120i, 130i, 120d, 123d	115-195	11.03	09.12	F	07.B314.82				
<b>1 (E82)</b>									
135i	225	10.07		F	07.B314.02	R	07.B315.03		
3.0 Turbo 1M	250	01.11		F	07.B314.35	R	07.B315.02		
<b>1 (E88)</b>									
118d, 118i,	100-105	03.08	12.13	F	07.B314.84				
120d, 120i, 125i, 128i	120-240	03.08	12.13	F	07.B314.82				
123d, 135i	150-225	03.08	12.13	F	07.B314.82	R	07.B315.03		
118d, 118i, 120d, 120i, 123d, 125i, 128i, 135i	110-120	03.07	01.07	F	07.B314.02			With Performance Brake	

	kW				
			F - Part Number	R - Part Number	
<b>1 (F20), (F21)</b>					
118/120/125d, 125i	110-175	01,11	F	07.B314.98	07.B315.50
114d, 116d&i, 118d&i, 120d&i, 125d&i, M135i	80-240	06.11	F	07.B314.90	07.B315.77
					With Performance Brake
<b>2 (F22), (F23), (F87)</b>					
220/225 d, 220/228/230 i	120-185	10,12	F	07.B314.98	
214d, 216d&i, 218d&i, 220d&i, 225d&i, M235i	105-240	10.13	F	07.B314.90	R
M2	272	11,15	F	07.B314.90	R
					07.B315.77
					07.B315.77
					With Performance Brake
					With Performance Brake
<b>3 (E36)</b>					
316i, 318i, 320i, 325i, 328i, 318tds, 320tds, 325tds	66-105	09.90	02.98	F	07.B314.31
M3	210-236	01.04	12.98	F	07.B314.32
					R
					07.B315.35
<b>3 (E46)</b>					
316, 318, 320, 323, 325&328i, 318&320tds	73-142	04.98	02.05	F	07.B314.31
330i, 330d	135-170	09.00	02.05		R
M3	235-265	06/00	02.00		R
					07.B315.26
					07.B315.01
					07.B315.01
<b>3 (E90, E91, E92, E93)</b>					
316i, 318i, 320i, 325i, 318d, 320d, 325d	85-160	02.05		F	07.B314.99 or .33 or .34
318i, 320i, 316d, 318d	85-125	03.07	12.11	F	07.B314.82 or .02*
330i, 335i, 330d, 335d	170-225	05.12		F	07.B314.02 or .35
M3	309	03.07		F	07.B314.35
					R
					07.B315.03
					*With Performance Brake
					07.B315.02
<b>3 (F30, F31, F34, F35, F80)</b>					
320/325/330 d, 320/328/330/335 i	135-225	03,11		F	07.B314.98
316d&i, 318d&i, 320d, 328i, Hybrid 330d, 335i, 340i, M3	105-317	10.11		F	07.B314.90
M3, M3 Competition	317-330	04,12		F	07.B314.90
					R
					07.B315.50
					07.B315.77
					07.B315.77
					With Performance Brake
					With Performance Brake
<b>4 (F32, F33, F82, F83)</b>					
420/425/430 d, 420/428/430 i	120-210	07,13		F	07.B314.98
418d, 420d&i, 428i, 435i, 430d, 435i, M4	160-331	01.14		F	07.B314.90
M4	317-330	01.14		F	07.B314.90
					R
					07.B315.77
					07.B315.77
					With Performance Brake
					With Performance Brake
<b>5 (E34)</b>					
518i, 520i, 525i, 530i, 535i, 540i, 524td, 525td	85-210	01.88	09.95	F	07.B314.32
3.6M5, 3.8 M5	232-294	10.89	09.95		R
					07.B315.01
<b>5 (E60)</b>					
520i, 523i, 525i, 530i, 520d, 525d, 530d	95-200	07.03		F	07.B314.35
540i, 545i, 550i, 535d	200-270	09.03		F	07.B314.35
M5	373	09.04			R
					07.B315.02
					07.B315.02
<b>5 (F10, F07, F11)</b>					
525/530/535/550 d, 528/530/535/550 i, ActiveHybrid	120-330	01,09	02,17	F	07.D435.01
<b>6 (E63)</b>					
630i, 645i, 650i	190-270	01.04		F	07.B314.35
650i, M6, 635d	210-373	07.05			R
					07.B315.02
					07.B315.02
<b>6 (F12)</b>					
640 d, 640/650 i	230-330	11.10		F	07.D435.01
<b>7 (E32)</b>					
730i, 735i 740i, 750i	145-220	12.86	09.94	F	07.B314.32
<b>7 (E38)</b>					
728i, 730i, 735i, 740i, 730d, 740d, 725tds	105-180	10.94	11.01	F	07.B314.36
					R
					07.B315.01
<b>7 (E65, E66)</b>					
730i, 735i, 730d	160-200	10.02		F	07.B314.35
735i, 745i, 760i, 730d, 760d	190-320	10.02		F	07.B314.35
					R
					07.B315.01
					07.B315.02
<b>7 (F01, F02, F03, F04)</b>					
730/740 d, 730/740/750 i, ActiveHybrid	155-330	02.08	12.15	F	07.D435.01
<b>8 (E31)</b>					
840i, 850i	210-240	03.94	12.99	F	07.B314.36
					R
					07.B315.01
<b>i8 (I12)</b>					
hybrid	170-266	03.14		F	07.B314.90
<b>X1 (E84)</b>					
16/18/20/23/25 d, 16/18/20/25/28 i	150	10.09		F	07.B314.34 or 99
					07.B315.50
<b>X3 (E83)</b>					
2.0i, 2.5i, 3.0i, 2.0d, 3.0d	110-210	01.04			R
					07.B315.01
<b>X3 (F25)</b>					
18/20/30/35 d, 18/20/28/35 i	100-225	09,10		F	07.B314.98
<b>X4 (F26)</b>					
20/28/35 i, 20/30/35 d		05,13	03,18	F	07.B314.98
<b>X5 (E53)</b>					
3.0i, 4.4i, 4.6i, 4.8i, 3.0d	135-265	09.08			R
					07.B315.01
<b>X5 (E70)</b>					
4.8i, 3.0d, 3.5d	173-261	02.07			R
					07.B315.02
<b>X6 (E71)</b>					
3.5i, 5.0i, 3.5d	210-300	05.08			R
					07.B315.02







	kW						
			F - Part Number	R - Part Number			
<b>Z3</b> 1.8, 1.9, 2.0, 2.2, 2.8, 3.0	85-170	10.95	01.03	F	07.B314.31		
<b>Z4 (E85)</b> 2.0i, 2.2i, 2.5i, 3.0i 3.2M	110-195 252	02.03 03.06	05.09 05.09	F	07.B314.31	R R	07.B315.26 07.B315.01
<b>Z4 (E89)</b> sDrive 18i, 20i, 23i, 28i, 30i, 35i	115-225	05.09		F	07.B314.34		
<b>Z8</b> 4.9	294	06.00	06.03			R	07.B315.01
<b>CHEVROLET</b>							
<b>CRUZE</b> 1.3, 1.3 AWD	61	07.00				R	07.B315.09
<b>CALIBER</b> 1.8, 2.0, 2.4	103-126	06.06	04.12	F	07.B314.09		
<b>DODGE VIPER</b> 8.0 8.3 V10 SRT 8.4	282-335	07.98 01,10 03,13	08.02	F F	07.B314.39 07.B315.73	R R	07.B315.73 07.B315.73
<b>MERIVA</b> 1.4, 1.8	82-84	03.03		F	07.B314.26	R	07.B315.21
<b>VIVA</b> 1.8	90-92	09.03	03.08	F	07.B314.26		
<b>ZAFIRA (F75)</b> 2.0, 2.2	85-100	04.01	07.04	F	07.B314.26	R	07.B315.21
<b>CITROEN</b>							
<b>C2 (JM_)</b> 1.4i, 1.6i, 1.4HDI, 1.6HDI	80-90	09.03		F	07.B314.38	R	07.B315.25
<b>C3 (FC_)</b> 1.6, 1.6HDI 1.4, 1.6, 1.6HDI	80 65-80	02.02 02.02		F F	07.B314.11 07.B314.38	R R	07.B315.25 07.B315.25
<b>C3 II</b> 1.1, 1.4, 1.6, 1.6HDI	44-88	11.09		F	07.B314.38	R	07.B315.25
<b>C3 PICASSO</b> 1.2, 1.4, 1.6	66-84	02.09		F	07.B314.38		
<b>C4 (LC_)</b> 1.4, 1.6 1.4, 1.6, 2.0, 1.6HDI, 2.0 HDI	65-80 66-88	11.04 11.04		F F	07.B314.38 07.B314.11	R R	07.B315.25 07.B315.25
<b>C4 AIRCROSS</b> 1.6, 1.8, 2.0	84-110	04.12		F	07.B314.09		
<b>C8 (EA_, EB_)</b> 2.0, 2.2, 2.0HDI, 2.2HDI	79-150	07.02				R	07.B315.25
<b>C-ELISEE</b> 1.2VTI 72, 1.2VTI 82, 1.6 BlueHDI 100, 1.6 HDI 92, 1.6 VTI 115	53-85	11.12		F	07.B314.38		
<b>DS3</b> 1.6, 1.6HDI, 1.2&1.6THP, 1.4&1.6VTI, 1.6HDI 1.6, 1.6HDI, 1.2&1.6THP, 1.4&1.6VTI, 1.6HDI 1.6, 1.2&1.6THP, 1.6HDI Racing	60-120 60-120 81-153 68-70	11.09 11.09 02.11 11.09	07.15 07.15	F F F	07.B314.38 07.B314.03 07.B314.48	R F R	07.B315.25 07.B315.25 07.B315.25 07.B315.25
<b>NEMO</b> 1.4, 1.4HDI	50-54	02.08		F	07.B314.04		
<b>SAXO (S0, S1)</b> 1.4, 1.6	55-88	02.96	04.04	F	07.B314.37	R	07.B315.13
<b>XSARA (N1)</b> 1.6, 1.8, 2.0, 1.8D, 1.9D, 1.4&2.0HDI 2.0, 2.0HDI	50-100 80-100	04.97 01.02	09.00 08.05	F F	07.B314.37or.38 07.B314.11	R R	07.B315.13 07.B315.13
<b>XSARA (N2)</b> 1.4i, 1.6i, 1.5D, 1.8D, 1.9D 1.4HDI, 1.6i, 1.5D, 1.8D, 1.9D 2.0 16V, 2.0HDI	42-65 50-80 80-100	10.97 10.97 10.97	08.00 08.05 08.05	F F F	07.B314.37 07.B314.38 07.B314.11	R R R	07.B315.13 07.B315.13 07.B315.13
<b>XSARA PICASSO (N68)</b> 1.6, 1.8, 2.0, 1.6HDI, 2.0HDI 1.6, 1.8, 2.0, 1.6HDI, 2.0HDI	65-100 65-100	12.99 12.99		F F	07.B314.11 07.B314.38	R R	07.B315.25 07.B315.25
<b>ZX (N2)</b> 1.6, 1.8, 1.9, 2.0, 1.9TD	65-120	06.92	10.97			R	07.B315.13
<b>DACIA</b>							
<b>DOKKER</b> 1.2, 1.5, 1.6	55-85	11.12		F	07.B314.79		

NEW  
NEW

no ESP






For Front Brake Disc Ø 266  
For Front Brake Disc Ø 283  
For Front Brake Disc Ø 323






with EPS  
no EPS

	kW	 31		F - Part Number	R - Part Number	
<b>DUSTER</b> 1.2, 1.5, 1.6, 4x4	63-92	04.10		F	07.B314.79	
<b>LOGGY</b> 1.2, 1.5, 1.6	61-85	03.12		F	07.B314.79	
<b>DAEWOO</b>						
<b>LUBLIN II</b> 2.4D, 2.4TD	52-66	04.97		F	07.B314.50	
<b>DAIMLER</b>						
<b>X300</b> 4.0, 6.0	163-229	10.89	08.05	F	07.B314.32	
<b>XJ40</b> 4.0	163	10.89	09.94	F	07.B314.32	
<b>DS</b>						
<b>DS3</b> 1.6, 1.6HDI, 1.2&1.6THP, 1.4&1.6VTI, 1.6HDI 1.6, 1.6HDI, 1.2&1.6THP, 1.4&1.6VTI, 1.6HDI 1.6, 1.2&1.6THP, 1.6HDI, Racing	60-120 60-120 81-153	11.09 11.09 02.11	07.15 07.15 07.15	F F F	07.B314.38 07.B314.03*	R F F 07.B315.25 07.B315.25 07.B315.25 For Front Brake Disc Ø 266 For Front Brake Disc Ø 283 For Front Brake Disc Ø 323 * Remove wear indicator
<b>DODGE</b>						
<b>CHALLENGER</b> 3.6	227	09.10		F	07.B314.72	NEW
<b>CHARGER</b> 6.2, 6.4	351-527	09.11		F	07.B314.72	NEW
<b>FERRARI</b>						
<b>360</b> 3.6				F	07.B314.03	R 07.B314.03
<b>430</b> 4.3				F	07.B314.03	R 07.B314.03
<b>F40</b> 3.0				F	07.B315.73	R 07.B315.73
<b>F50</b> 4,7				F	07.B315.73	R 07.B315.73
<b>FIAT</b>						
<b>500 (312)</b> 1.4 (07 on) & 1.3 D Multijet (09 on) 1.2 1.4 Abarth	74&70D 51 99	10.07 10.07 08.08		F F F	07.B314.04 07.B314.28 07.B314.40	R R R 07.B315.30 07.B315.30 07.B315.30
<b>500L (199, 351, 352)</b> 0.9 Natural Power, 1.3d Multijet, 1.4	63-70	09.12		F	07.B314.40	
<b>BARCETTA (183)</b> 1.8 16V	96	04.95				R 07.B315.24
<b>BRAVO (182)</b> 2.0 & 2.0 HGT 20V	108-103	10.95	10.01	F	07.B314.29	R 07.B315.24
<b>BRAVO (198)</b> 1.4, 1.6D, 1.9D	66-88			F	07.B314.40	
<b>COUPE (FA175)</b> 2.0 20V Turbo 1.8, 2.0	162 96-140	08.96 11.93	08.00 08.00	F F	07.B314.39 07.B314.29	R R 07.B315.24 07.B315.24
<b>DOBLO</b> 1.2, 1.6, 1.3 JTD, 1.9D	48-88	03.01		F	07.B314.04	
<b>FIORINO</b> 1.4 & 1.3D Multijet	55	02.08		F	07.B314.04	
<b>GRANDE PUNTO (199)</b> 1.2, 1.4, 1.3D Multijet 1.4TJet, 1.3D Multijet, 1.9D Multijet 1.4 Abarth	48-70 66-96 114	10.05 10.05 12.07		F F F	07.B314.04 07.B314.40 07.B314.21	
<b>IDEA</b> 1.3D Multijet, 1.9 JDT	66-74	01.04	12.05	F	07.B314.40	
<b>LINEA</b> 1.4Tjet, 1.6D Multijet	77-88	09.07		F	07.B314.40	
<b>MAREA (185)</b> 2.0, 2.4TD, 2.4JTD	91-113	09.96	01.01	F	07.B314.29	R 07.B315.24
<b>MULTIPLA (186)</b> 1.6, 1.9JRD	68-88	04.99		F	07.B314.29 or.40	
<b>PANDA (169)</b> 1.1, 1.2, 1.4, 1.3d Multijet	40-74	09.03		F	07.B314.28	R 07.B315.23
<b>PUNTO (176)</b> 1.1, 1.2, 1.7D 1.4 GT Turbo	40-51 98	09.03 01.94	09.99	F	07.B314.28	R 07.B315.24














	kW				
			F - Part Number	R - Part Number	
<b>PUNTO (188)</b>					
1.2	44	09'99			
1.8HGT, 1.9JTD	74-96	09'99	06.00	F	07.B314.28
				R	07.B315.23
<b>QUBO</b>					
1.4, 1.3D	57-59	09.08		F	07.B314.04
1.3D	70	07.10		F	07.B314.40
<b>SEICENTO (187)</b>					
0.9, 1.1	29-40	01.98		F	07.B314.28
<b>STILO (192)</b>					
1.4, 1.6, 1.8, 1.9D, 1.9JTD	59-110	10.01		F	07.B314.40
<b>TEMPRA (159)</b>					
1.4, 1.6, 1.4, 1.8, 2.0, 1.9D, 1.9TD	51-83	03.90	08.96		
				R	07.B315.24
<b>TIPO (160)</b>					
1.1, 1.4, 1.6, 1.8, 2.0, 1.7D, 1.9D, 1.9TD	41-102	07.87	04.95		
				R	07.B315.24
<b>ULYSSE (179AX)</b>					
2.0, 3.0, 2.0D, 2.0JTD	79-150	08.02			
				R	07.B315.25
<b>UNO (146A/E)</b>					
1.4, 1.6, 1.6R, 1.3 Turbo, 1.4 Turbo	65-87	01.89	12.96		
				R	07.B315.24
<b>FORD</b>					
<b>FIESTA (JH_JD_)</b>					
1.0, 1.25, 1.3, 1.4, 1.6, 1.8D	37-76	02.00	01.02		
1.25, 1.3, 1.4, 1.6	44-74	11.01	06.08	F	07.B314.43
ST 150	110	03.05	06.08	F	07.B314.42
<b>FOCUS (DAW,DBW)</b>					
ST170	127	03.02	11.04	F	07.B314.42
RS	158	10.02	11.04	F	07.B314.39
<b>FOCUS II (DA_, HCP)</b>					
2.5 ST	166	10.05		F	07.B314.41
2.5 RS	224	01.09		F	07.B314.05
				R	07.B315.04
<b>FOCUS III</b>					
1.0, 1.5, 1.6, 1.5, 1.6&2.0TDCi, 2.0ST	74-184	04.11			
RS	257	04.16		R	07.B314.95
				R	07.B315.44
<b>GALAXY (WA6)</b>					
2.0, 2.3, 1.8TDCi, 2.0TDCi	74-129	05.06			
All models	74-147	01.06			
				R	07.B315.04
				R	07.B315.34
					with electronic handbrake
<b>GALAXY (WGR)</b>					
2.0, 2.3, 2.8, 1.9TDI	66-128	03.95	04.00	F	07.B314.70
				R	07.B315.25
<b>KA</b>					
1.2	51	02.09	04.00	F	07.B314.28
<b>KA (RB_RL2)</b>					
1.6	66-71	02.01	11.08	F	07.B314.43
<b>KUGA</b>					
2.5 4x4, 2.0TDCi	100-147	03.08			
				R	07.B315.04
<b>MONDEO IV</b>					
1.6, 2.0, 2.3, 2.5, 1.8TDCi, 2.0TDCi	74-162	03.07			
				R	07.B315.04
<b>PUMA (EC)</b>					
1.4, 1.6, 1.7, ST160	66-114	03.97	06.02	F	07.B314.43
<b>S-MAX</b>					
2.0, 2.3, 2.5ST, 1.8TDCi, 2.0TDCi	74-162	05.06			
				R	07.B315.04
<b>TOURNEO CONNECT</b>					
1.6, 1.8, 1.8Di, 1.8TDCi, 1.8 Turbo Di	55-85	06.02		F	07.B314.42
<b>TRANSIT CONNECT</b>					
1.8 16V, 1.8Di, 1.8TDCi	55-85	06.02		F	07.B314.42
<b>HONDA</b>					
<b>ACCORD IV (CB8,CB9)</b>					
2.0, 2.2	98-110	01.91	12.93	F	07.B314.44
<b>ACCORD V (CE,CF)</b>					
1.9, 2.0, 2.2, 2.3	85-110	03.93	10.98	F	07.B314.44
<b>ACCORD VI (CE,CF)</b>					
1.9, 2.0	85-96	02.96	10.98	F	07.B314.44
					Auto
<b>ACCORD VII</b>					
2.0, 2.2, 2.3, 3.0, 2.2TypeR	108-156	02.98	06.03	F	07.B314.44
<b>ACCORD VIII</b>					
2.0, 2.2CTDi, 2.4	103-140	04.03			
				R	07.B315.05
<b>CIVIC VI</b>					
1.8 16V	124	01.97	02.01	F	07.B314.44
<b>CIVIC VII</b>					
1.6i, 1.7i, 2.0i, 1.7i VTEC	55-92	02.01	12.05		
2.0i Sport, 2.0 Type R	118-147	01.04	09.05	F	07.B314.45
				R	07.B315.05

	kW				
			F - Part Number	R - Part Number	
<b>CIVIC VIII (FD)</b> 1.3 Hybrid, 1.3, 1.6, 1.8, 2.0 Type R	70-114 148	09.05 09.06	F	07.B314.45	R 07.B315.05
<b>CIVIC IX</b> 2.0 i-VTEC TYPE R	228	08.15	F	07.B314.51	
<b>CR-V I (RD)</b> 2.0	94-108	01.99	02.02	F 07.B314.44	
<b>CR-V II (RD_)</b> 2.0, 2.4 Vtec All-wheel drive	110-118	03.02	10.04		R 07.B315.05
<b>FR-V (BE)</b> 1.7, 1.8, 2.0, 2.2i CTDi	92-110	01.07			R 07.B315.05
<b>HR-V (GH)</b> 1.6	77-91	03.99		F 07.B314.44	
<b>INTEGRA (DC5, DC2, DC4)</b> 2.0 16V Type-R 2.0, 1.8 16V Type-R	162 118-140	02.02 11.97		F 07.B314.36 F 07.B314.44	
<b>LEGEND II, III &amp; IV</b> 3.2i 24V, 3.5, 3.5i 24V, 3.5 & 3.7 V6	151-221	10.04		F 07.B314.44	
<b>NSX</b> 3.0, 3.2	188-201	03.95		F 07.B314.44	
<b>PRELUDE IV &amp; V</b> 2.2 & 2.3 16V	118-147	02.93	10.00	F 07.B314.44	
<b>S2000</b> 2.0, 2.0 & 2.2 Vtec	170-184	06.99		F 07.B314.45	R 07.B315.05
<b>SHUTTLE</b> 2.2 & 2.3 16V	110	10.94	06.02	F 07.B314.44	R 07.B315.05
<b>STEPWAGON</b> 2.0, 2.4, 2.0 4WD	118	10.00	09.05	F 07.B314.44	
<b>STREAM</b> 1.7 & 2.0 16V	92-118	05.01			R 07.B315.05
<b>HYUNDAI</b>					
<b>ELANTRA (XD)</b> 1.6, 1.8, 2.0, 2.0 CRDi	66-105	06.00			R 07.B315.12
<b>LANTRA I &amp; II</b> 1.5, 1.6, 1.8, 1.9, 2.0	63-102	10.90	09.00		R 07.B315.12
<b>TIBURON Coupe</b> 1.6 & 2.0 CVT	78-105	10.06			R 07.B315.12
<b>INFINITI</b>					
<b>FX</b> 30D, 37, 50	175-309	10.08		F 07.B314.72	R 07.B315.40
<b>G</b> 37	235-245	09.07		F 07.B314.72	R 07.B315.40
<b>M</b> 37	243-300	01.10		F 07.B314.72	R 07.B315.40
<b>Q50, Q60, Q70, QX70</b> 2.0, 2.2, 3.0, 3.7	235-245	03.13		F 07.B314.72	R 07.B315.40
<b>JAGUAR</b>					
<b>S TYPE (CCX)</b> 2.5, 2.7D, 4.2V8, R 4.2V8	147-291	04.02			R 07.B314.39
<b>XJ (NAW, NBW, X308)</b> 3.2, 4.0, 6.0, R S/charged 4.0	174-267	07.97	05.03	F 07.B315.73	
<b>XJ (350,X358)</b> R 4.2	291	05.03			R 07.B314.39
<b>XJ (XJ40,81)</b> 2.9, 3.2, 4.0	108-187	10.89	11.94	F 07.B314.32	
<b>XJS</b> 3.6, 4.0, 5.3, 6.0	136-248	10.89	03.96	F 07.B314.32	
<b>XK8 (QDV, QEV, X100)</b> 4.0, 4.2, R4.2 4.2R, 4.0XKR	209-291 276-291	02.98 01.98	07.05 01.07	F F 07.B315.73	R 07.B314.39
<b>JEEP</b>					
<b>GRAND CHEROKEE IV</b> 3.0, 6.4	172-344	03.11		F 07.B314.72	
<b>KIA</b>					
<b>CERATO</b> 1.6, 1.8, 2.0, 1.5CRDi, 1.6CRDi, 2.0CRDi, 1.8CVT	77-105	04.04			R 07.B315.12
<b>LAMBORGHINI</b>					
<b>DIABLO</b> 5.7 & 6.0 VT	390-423			F 07.B315.73	R 07.B315.73













	kW					
			F - Part Number	R - Part Number		
<b>GALLARDO</b> 5.0	368		F	07.B314.01	R 07.B315.73	<b>NEW</b>
<b>MURCIELAGO</b> 6,2		01,01	F	07.B315.73	R 07.B315.73	<b>NEW</b>
<b>LANCIA</b>						
<b>DEDRA (835)</b> 1.6, 1.8, 2.0, 2.0 Turbo, 1.9TDS 2.0 HF Integrale, 2.0 Turbo	57-124 119-130	08.89 05.90	07.99 07.99	F	R 07.B314.29 R 07.B315.24	
<b>DELTA I (831ABO)</b> 1.6 Turbo, 2.0, 2.0 16V	122-155	08.86	01.94	F	07.B314.39	
<b>DELTA II (836)</b> 1.6, 1.8, 2.0, 1.9TD 1.8 i.e. 16V GT, 2.0 16V, 2.0 16V Turbo	66-142 96-142	03.96 06.93	08.99 08.99	F	R 07.B315.24 R 07.B315.24	
<b>DELTA III (844)</b> 1.4, 1.6D Multijet 1.8	88 147	09.08 01.09	08.14	F	07.B314.40 07.B314.64	
<b>KAPPA (838A)</b> 2.0 20V Turbo, 3.0 24V	150-162	08.94		F	07.B314.48	
<b>LYBRA (839)</b> 1.8, 1.9, 2.0, 2.4	77-110	07.99	10.05	F	R 07.B315.23	
<b>MUSA</b> 1.3D, 1.6D & 1.9D Multijet	66-74	07.08		F	R 07.B314.40	
<b>PHEDRA</b> 2.0, 3.0V6, 2.0d Multijet, 2.0JTD, 2.2JTD	79-150	09.02			R 07.B315.25	
<b>Y</b> 1.1, 1.2	40-44	11.95	09'03	F	07.B314.28	
<b>YPSILON</b> 1.3D Multijet	66-77	09.06			R 07.B315.23	
<b>LAND ROVER</b>						
<b>FREELANDER 2 (FA_)</b> 3.2, 2.2TD4	112-171	10.06			R 07.B315.04	
<b>RANGE ROVER III (LM)</b> 4.2, 4.4, 3.0 TD6, 3.6 TD8	210-291	03.02			R 07.B315.01	
<b>RANGE ROVER EVOQUE</b> 2.0, 2.2, 2.2TDI	110-177	01.11			R 07.B315.34	
<b>LOTUS</b>						
<b>ELISE, ELISE 340R, EXIGE</b> 1.8 16V, 111S, 340R, 1.8 Cup240 1.8 16V, 111S, 340R, 1.8 Cup240	88-130 88-130	08.95 08.96		F	R 07.B315.27 R 07.B315.32	AP - BB kit
<b>ESPRIT S4 (082)</b> 2.2, 2.2 Turbo, 2.0GT3, 3.5V8 Turbo	158-260	09.00	07.96		R 07.B315.06	
<b>MASERATI</b>						
<b>GIBLI II</b> 2.0 BiTurbo, 2.8 BiTurbo	209-225	05.92			R 07.B315.01	
<b>GIBLI (M157)</b> 3.0, 3.0S, 3.0S Q4	243-302	03.13		F	R 07.B314.64	<b>NEW</b>
<b>GT</b> 3200 & 4200				F	R 07.B314.36	
<b>QUATTROPORTE II</b> 2.0 BiTurbo, 2.8 BiTurbo, 3.5V8	211-247	03.94			R 07.B315.01	
<b>QUATTROPORTE VI (M156)</b> 3.0 4.7	243-302 350	06.13 06.13		F	R 07.B314.63 R 07.B314.65	<b>NEW</b> <b>NEW</b>
<b>MAZDA</b>						
<b>3 (BK, BL)</b> 2.0, 2.3 2.3 MPS Turbo	10.03 191	09.14 06.06	09.09	F	R 07.B314.41 R 07.B314.31	
<b>323 F V (BA)</b> 2.0 24V	106	08.94	09.98		R 07.B315.07	
<b>MX-5 I (NA)</b> 1.6, 1.8 1.6, 1.8	85-96 85-96	02.94 02.94	04.98 04.98	F	R 07.B314.60 R 07.B315.07	F narrow annulus (46.2mm Height) F wide annulus (57.2mm Height)
<b>MX-5 II (NB)</b> 1.6, 1.8 1.8, 2.0	81-107 81-107	01.98 08.00	10.05 10.05	F	R 07.B314.06 R 07.B315.08	F wide annulus (57.2mm Height)
<b>MX-5 III (NC)</b> 1.8, 2.0	93-118	03.05	12.14		R 07.B315.31	

	kW			F - Part Number	R - Part Number			
<b>MX-5 IV (ND)</b> 1.4	96-118	06.15			R	07.B315.31		
<b>RX-8</b> 1.3, 2.6 Wankel	141-177	10.03	06.12	F	07.B314.08	R	07.B315.09	
<b>MERCEDES</b>								
<b>A CLASS (W176)</b> A 45 AMG 4-matic (176,052)	265-280	06.13		F	07.B314.94	R	07.B315.43/72	<b>NEW</b>
<b>CLA (C117, X117, X156)</b> CLA 45 AMG 4-matic	265-280	07.13		F	07.B314.94	R	07.B315.43	<b>NEW</b>
<b>C CLASS (A205, C205)</b> AMG 63, AMG63S	350-375	06.14		F	07.D435.19			<b>NEW</b>
<b>CLK (C209, A209)</b> 55 AMG, 63 AMG, DTM AMG	270-428	09.02	03.10	F	07.B314.65			<b>NEW</b>
<b>E-CLASS (W211)</b> E 200, 220, 240, 270, 280, 300, 320, 350, 400, 420, 500	75-285	03.02	12.08			R	07.B315.61	<b>NEW</b>
<b>E CLASS (W212, S212)</b> E500, E500 4-matic	300	09.11		F	07.B314.94	R	07.B315.61	<b>NEW</b>
<b>GL CLASS (X166)</b> GL 350 CDI, GL 400, GL450 GL63 AMG	190-270 410	07.12 07.12		 F	 07.D435.19	 R	 07.D435.12 07.D435.12	 <b>NEW</b> <b>NEW</b>
<b>GLA (X156)</b> GLA 45 AMG 4-matic	265-280	05.14		F	07.B314.94	R	07.B315.43	<b>NEW</b>
<b>GLE (W166, C292)</b> 250d, 320, 350d, 400 250/350 d, 320	150-245 150-200	04.15 04.15				R R	07.D435.12 07.B315.72	<b>NEW</b> <b>NEW</b>
<b>GLS (X166)</b> 350d, 400	190-245	11.15				R	07.D435.12	<b>NEW</b>
<b>S-CLASS (W220)</b> S 250, 280, 320, 350, 400, 430, 500, 600	150-380	10.98	12.13			R	07.B315.61	<b>NEW</b>
<b>S-CLASS Coupe (C215, C216)</b> CL 500, CL 600	215-380	09.04	12.13			R	07.B315.61	<b>NEW</b>
<b>S CLASS (W222,V222,X222)</b> AMG S	450	05.17		F	07.D435.19			<b>NEW</b>
<b>S CLASS (W221, C216)</b> S500 CGI, 4matic, CL500, 4-matic	320	03.11	12.13	F	07.B314.94			<b>NEW</b>
<b>SL (R230)</b> 280, 300, 350, 500	170-285	03.06	01.12			R	07.B315.61	<b>NEW</b>
<b>SLC (R172)</b> AMG SLC 43	270	01.16		F	07.B314.94	R	07.B315.43	<b>NEW</b>
<b>SLK (R171)</b> 55 AMG	265-294	06.04	02.11	F	07.B314.65	R	07.B315.61	<b>NEW</b>
<b>SLK (R172)</b> 55 AMG	310	01.12		F	07.B314.94	R	07.B315.43	<b>NEW</b>
<b>GL-CLASS (X166)</b> GL 350 CDI, GL 400, GL450 GL 350 CDI, GL 400, GL450	190-270 190-270	07.12 07.12				R R	07.D435.12 07.B315.72	<b>NEW</b> <b>NEW</b>
<b>M-CLASS (W166)</b> ML 250 CDI, 350, 400	150-245	06.11	12.15			R	07.D435.12	<b>NEW</b>
<b>MG</b>								
<b>ZT &amp; ZT-T</b> 160, 180, 190, 260, 1.8, 1.8T, 2.0CDTi	85-191	06.01				R	07.B315.26	
<b>MINI</b>								
<b>MINI (F54, F55, F56, F57)</b> Cooper, Cooper D, One, One D, One First	55-100	06.13		F	07.B314.84			
<b>MINI (R50, R52, R53)</b> Cooper, Cooper S, One, One D JCW, Works, S Works,	55-125 147-160	06.01 11.03	09.06 09.06	F F	07.B314.46 07.B314.47	R R	07.B315.10 07.B315.10	
<b>MINI (R55, R56, R57, R58, R59)</b> Cooper, Cooper D, Cooper SD, One, One D Cooper S Cooper S JCW, JCW, One, Cooper D	55-105 120-147 72-155	11.06 10.06 11.06	06.14 06.14 06.14	F F F	07.B314.84 07.B314.47 07.B314.74	R R R	07.B315.33 07.B315.33 07.B315.33	  with sports suspension
<b>MITSUBISHI</b>								
<b>ASX</b> 1.6, 1.8, 2.0, 2.2	84-110	02.01		F	07.B314.09			<b>NEW</b>
<b>GALANT VI</b> 2.0, 2.5V6, 2.0TDI, 2.4GDI	66-120	02.99	10.04	F	07.B314.09			
<b>LANCER (CJ-CP_)</b> 2.0 16V EVO, EVO V	206	01.98	08.01	F	07.B314.51			















	kW					
			F - Part Number	R - Part Number		
<b>LANCER (CS_A, CTO, CT_A, CS_W, CT_W)</b>						
1.3, 1.6, 2.0	72-99	07.03		F	07.B314.09	
2.0 16V EVO IX, EVO VII, 2.0 4WD	195-213	03.04		F	07.B314.48 or .51	
<b>LANCER (CY_A, CZ_A, CX_A)</b>						
1.5, 1.6, 1.8, 2.0, 2.4	80-115	01.08		F	07.B314.09	
2.0 EVO X, All wheel drive	217-264	06.08	05.16	F	07.B314.51	R 07.B315.11
<b>SPACE RUNNER</b>						
2.0, 2.4GDI	100-110	05.00	01.03	F	07.B314.09	
<b>OUTLANDER III (GG_W, GF_W, ZJ)</b>						
2.0, 2.4, 3.0	107-167	08.12		F	07.B314.09	<b>NEW</b>
<b>NISSAN</b>						
<b>200 ZX (S14)</b>						
2.0 16V		10.93	12.99	F	07.B314.10	R 07.B315.12
<b>300 ZX (Z32)</b>						
3.0 Twin turbo	197-224	05.90	12.97	F	07.B314.10	R 07.B315.19
<b>350 Z (Z33)</b>						
3.5	206-230	10.03		F	07.B314.49	R 07.B315.27
<b>370 Z (Z34)</b>						
3.7	241-243	06.09		F	07.B314.75	R 07.B315.40
<b>BLUEBIRD (T72,T12)</b>						
1.8i 16V	95	02.89	12.90			R 07.B315.12
<b>MAXIMA (J30)</b>						
3.0i	125	10.88	06.94			R 07.B315.12
<b>NOTE (E11)</b>						
1.4, 1.6, 1.5CDi	50-81	03.06				R 07.B315.25
<b>R32 GTR</b>						
		01.89	01.93	F	07.B314.10	R 07.B315.19 Akebono brakes
<b>R35 GTR</b>						
3.8 V6	357-390	02.09		F	07.B314.72	R 07.B315.73
<b>SKYLINE</b>						
R32, R33GTR		02.92		F	07.B314.49	R 07.B315.27 Brembo brakes
<b>OPEL</b>						
<b>ADAM</b>						
1.4 S	110	11.14		F	07.B314.26	
<b>ASCONA B</b>						
1.2, 1.6, 1.9, 2.0	40-74	09.75	08.81	F	07.B315.27	
<b>ASTRA G</b>						
1.6, 1.8, 2.0, 2.2, 2.0Di, 1.7TD, 2.2TDi	55-108	01.99	10.05	F	07.B314.26	R 07.B314.21
<b>ASTRA H</b>						
1.2, 1.4, 1.6, 1.8, 1.6&2.0Turbo, 1.3, 1.7&1.9 1.7CTDi	48-147	03.04		F	07.B314.26	R 07.B315.21
<b>CORSA C</b>						
1.6 Turbo, 1.7CDTi	74-141	06.03		F	07.B314.26	
<b>CORSA D</b>						
1.3CDTi	55-70	07.06		F	07.B314.40	only for 284mm disc
1.6 Turbo	110-141	02.07		F	07.B314.26	
<b>CORSA E</b>						
1.0, 1.2, 1.3CDTi, 1.4, 1.4 Turbo	55-70	09.14		F	07.B314.26	
<b>CORSA</b>						
VXR Nurburgring	155	06.11		F	07.B314.21	
<b>KADETT</b>						
1.6, 1.9, 2.0	55-85	05.77	07.79	F	07.B315.27	
<b>INSIGNIA</b>						
VXR 2.8V6	239	07.08		F	07.B314.48	
<b>MANTA A &amp; B (58_59_)</b>						
1.2, 1.6, 1.9GT/E, 2.0	44-81	09.74	08.78	F	07.B315.27	
<b>MERVIA A &amp; B</b>						
1.4, 1.6, 1.8, 1.6Turbo, 1.3CTDi, 1.7CTDi	51-132	05.03		F	07.B314.26	R 07.B315.21
<b>REKORD E</b>						
1.7, 1.9, 2.0, 2.0D, 2.1D, 2.2D	44-81	09.77	04.81	F	07.B315.27	
<b>SPEEDSTER</b>						
2.0, 2.2, 2.0 Turbo	108-162	09.00		F	07.B315.27	R 07.B315.06
<b>VECTRA C</b>						
2.8 V6 Turbo	184-206	08.05		F	07.B314.55	
<b>ZAFIRA</b>						
1.6, 1.8, 2.0, 2.2, 1.6CNG, 1.7 & 1.9CDTi	77-147	04.99	06.05	F	07.B314.26	R 07.B315.21
<b>PEUGEOT</b>						
<b>106 (1A, 1C, 1)</b>						
1.3, 1.4, 1.5, 1.6	37-87	08.91	07.04	F	07.B314.37	






	kW				
			F - Part Number	R - Part Number	
<b>205 I &amp; II</b>					
1.7 Diesel	44	03.94	F	07.B314.37	
1.9 GTI, 1.9CTI	75-94	10.86	09.98		R 07.B315.13
<b>206 (2A/C, 2E/K, 2D)</b>					
1.6 16V, 2.0, 1.6HDI, 2.0 Hdi, 1.9D	80-100	09.98	F	07.B314.38	R 07.B315.13
2.0 RC	130	07.03	F	07.B314.11	R 07.B315.13
<b>207 (WA, WC, WD, WK)</b>					
1.6, 1.6 Turbo, S16, 1.9D, 1.6HDI, 2.0HDI	66-110	02.07	F	07.B314.11	
1.4, 1.4HDI	53-80	02.06	F	07.B314.38	
1.4 16V, 1.6HDI	70-80	06.07	F	07.B314.40	
<b>208</b>					
1.0, 1.2, 1.4, 1.6	50-121	03.15	F	07.B314.38	
1.6 THP 165	121	03.15	F	07.B314.03	
<b>2008</b>					
1.2, 1.4, 1.6	50-96	03.13	F	07.B314.38	
<b>301</b>					
1.2, 1.6	53-86	11.12	F	07.B314.38	
<b>306 (7B, N3, N5)</b>					
1.1, 1.4, 1.6, 1.8, 2.0, 1.8D, 1.9D, 2.0HDI	44-110	06.94	05.01	F 07.B314.37	R 07.B315.13
<b>307 (3A/C, 3E)</b>					
1.4, 1.4 16V, 1.4HDI	50-65	08.00	F	07.B314.38	R 07.B315.25
1.6, 2.0, 1.6 & 2.0HDI	65-100	08.00	F	07.B314.11	R 07.B315.25
<b>307 (3B, 3H)</b>					
1.6 16V, 2.0 16V	80-103	10.03	F	07.B314.11	
2.0 16V	132	04.05	06.09	F 07.B314.40	
<b>308 (4A, 4C)</b>					
1.4, 1.6, 2.0, 1.9GTI, 1.6 & 2.0 HDI	70-116	09.07			R 07.B315.25
<b>309 I &amp; II</b>					
1.9, 1.9GTI	72-116	03.86	12.93		R 07.B315.13
<b>405 I &amp; II</b>					
1.8, 1.9, 2.0, 1.8TD	66-144	03.88	10.96		R 07.B315.25
<b>4008</b>					
1.6, 1.8, 2.0	84-110	05.12	F	07.B314.09	
<b>807 (E)</b>					
2.0, 2.2, 2.0 & 2.2HDI	79-125	06.02			R 07.B315.25
<b>1007 (KM)</b>					
1.6 16V, 1.6HDI	80	04.05	F	07.B314.11	R 07.B315.25
<b>BIPPER (AA)</b>					
1.4, 1.4HDI	50-54	02.08	F	07.B314.04	
<b>PARTNER BOX</b>					
1.6, 1.6, 2.0HDI	50-66	02.00			R 07.B315.25 with ESP
<b>PORSCHE</b>					
<b>718 BOXSTER/CAYMAN (982)</b>					
2.0	184-220	04.16	F	07.B314.86	R 07.B315.36
<b>911 (964)</b>					
3.3 Turbo & S, 3.6 Carrera RS	191-261	08.90	06.91	F 07.B314.12	R 07.B314.13
3.6 Carrera & Carrera 4	184	12.88	09.93	F 07.B314.13	R 07.B314.13
3.3 & 3.6 Turbo, 3.3 Turbo S	235-265	07.91	09.93	F 07.B314.14	R 07.B314.13
<b>911 (993)</b>					
3.6&3.8 Carrera & Carrera 4	200-210	10.93	09.97	F 07.B314.12	R 07.B314.13
3.6 Turbo & 4 &GT2 & GT2 4, Carrera RS&4	221-331	03.95	09.97	F 07.B314.14	R 07.B314.12
<b>911 (996)</b>					
3.4&3.6 Carrera&4, 3.6 Carrera S&4S	221-254	09.07	08.05	F 07.B314.15	R 07.B315.14
3.4&3.6 Carrera&4, 3.6 Carrera S&4S	221-254	09.07	08.05	F 07.B314.15	R 07.B314.15
3.6 GT3, 3.6S, 3.6 Turbo 4 & Turbo 4S	265-331	03.03	08.05	F 07.B314.16	R 07.B314.15
3.6 GT2, 3.6 GT3, 3.6 GT3 RS	280-355	03.03	08.05	F 07.B314.17	R 07.B314.15
<b>911 (997)</b>					
3.6 Carrera, 3.6 Carrera 4	235-239	07.04	F	07.B314.85	R 07.B315.14
3.8 Carrera S, 3.8 Carrera 4S	280	08.05	F	07.B314.16	R 07.B314.85
3.8 Turbo, GT2, 3.6, 3.8 GT3 & GT3 RS	320-368	03.06	F	07.B314.17	R 07.B315.15
<b>911 (991)</b>					
3.4 Carrera, 3.4 Carrera 4	257	03.12	F	07.B314.76	R 07.B315.38
3.8 Carrera 4	373	09.10	12.11	F 07.B314.86	R 07.B315.38
3.8 Carrera S	257-316	12.11	F	07.B314.76	R 07.B315.38
<b>928</b>					
4.95, 5.0GT, 5.0S4	212-243	09.85	11.95	F 07.B314.12	R 07.B314.13
5.4 GTS	257	08.91	11.95	F 07.B314.14	R 07.B314.13
<b>944</b>					
All models	155-184	08.85	07.91	F 07.B314.13	R 07.B314.13








	kW								
			F - Part Number	R - Part Number					
<b>968</b>									
3.0	176	06.91	11.95	F	07.B314.12	R	07.B314.13	with sport suspension	
3.0	176	06.91	11.95	F	07.B314.13	R	07.B314.13		
3.0 Turbo S	224	03.93	11.95	F	07.B314.14	R	07.B314.13		
<b>BOXSTER (981)</b>									
2.7, S 3.4, GTS 3.4	232-243	04.12		F	07.B314.86	R	07.B315.36		
<b>BOXSTER (986)</b>									
2.5, 2.7	150-168	06.96	11.04	F	07.B314.18	R	07.B314.36		
S 3.2	185-196	08.99	11.04	F	07.B314.15	R	07.B315.14		
<b>BOXSTER (987)</b>									
2.7, 2.9	176-188	11.04	12.11	F	07.B314.18	R	07.B315.14		
S 3.2, S 3.4	217-235	07.06		F	07.B314.85	R	07.B315.14		
S 3.4	176-235	06.09		F	07.B314.85	R	07.B314.36		
<b>CARRERA GT (980)</b>									
5.7	450	03.03	08.05	F	07.B314.17				
<b>CAYENNE (955)</b>									
Turbo S 4.5 & 4.8	368-404	01.04	09.10	F	07.B314.19	R	07.B315.70	NEW	
3.2, 3.6, S4.5, S 4.8, Turbo 4.5	184-331	10.03	09.10	F	07.B314.20	R	07.B314.16		
<b>CAYENNE (92A)</b>									
3.0/4.2 Diesel, 3.0/3.6/4.8 inc Turbo	155-405	06.10		F	07.B314.66/67		07.B315.47	NEW	
<b>CAYMAN (981)</b>									
2.7, S 3.4, GTS 3.4	202-239	03.13		F	07.B314.86	R	07.B315.36		
<b>CAYMAN (987)</b>									
2.7	180	07.06	12.09	F	07.B314.18	R	07.B315.14		
2.7	205	09.12	12.13	F	07.B314.86	R	07.B315.36		
2.9, R 3.4, S 3.4, S 3.4 Sport	195-235	08.08	12.09	F	07.B314.85	R	07.B314.36		
R 3.4, S 3.4, S 3.4 Sport	217-243	11.10	06.13	F	07.B314.85	R	07.B315.14		
<b>MACAN (95B)</b>									
2.0, 3.0 Diesel	155*190	10.15				R	07.B315.57	NEW	
3.0 GTS, 3.6 TURBO	265-294	02.14		F	07.B314.66/67			NEW	
<b>PANAMERA</b>									
3.0, 3.6, 4.8, 4.8 Turbo	155-404	09.09		F	07.B314.66/67	R	07.B315.38	NEW	
<b>RENAULT</b>									
<b>9 (L42)</b>									
1.4 Turbo	77-85	04.84	12.89			R	07.B315.13		
<b>11 (B/C37_)</b>									
1.4 Turbo	77-85	04.84	12.88			R	07.B315.13		
<b>19 I (B/C53_)</b>									
1.2, 1.4, 1.7, 1.9D, 1.9DT	40-79	01.88	12.92			R	07.B315.13		
<b>19 II ((L53_)</b>									
1.1, 1.2, 1.4, 1.7, 1.8, 1.9D, 1.9DT	40-79	01.92	12.95			R	07.B315.13		
<b>21 (B48_)</b>									
2.0, 2.2, 2.1D, 2.1TD	50-100	07.89	06.94			R	07.B315.06		
<b>25 (B29_)</b>									
2.2, 2.8, 2.8i, 2.4Turbo, 2.5Turbo,	79-151	04.84	02.90	F	07.B314.50				
<b>AVANTIME (DE0_)</b>									
2.0Turbo, 3.0, 2.2dCi	110-152	09.01	05.03			R	07.B315.25		
<b>CAPTUR (J5)</b>									
1.2T, 1.2 TCe 120, 1.5 dCi 110, 1.5 dCi 90	66-88	06.13		F	07.B314.79			NEW	
<b>CLIO GRANDTOUR</b>									
1.2, 1.6, 1.5dCi	55-82	02.08				R	07.B315.25		
<b>CLIO I (B/C57_&lt;5/357_)</b>									
1.2, 1.4, 1.8, 1.9D	40-79	01.91	09.98			R	07.B315.13		
<b>CLIO II (BB0/1/2_, CB0/1/2_)</b>									
1.2, 1.4, 1.7, 1.8, 1.5D, 1.9D, 1.5cDi	55-132	09.98	06.05			R	07.B315.13		
Sport 172, Sport 182	172-182			F	07.B314.50	R	07.B315.13		
3.0 V6 Sport	166-187	11.00		F	07.B314.62				
<b>CLIO III (BR0/1,CRO/1)</b>									
1.2, 1.4, 1.6, 2.0, 1.5D, 1.5cDi	55-145	06.05				R	07.B315.25		
Sport 192, Sport 200	192-200			F	07.B314.21	R	07.B315.25		
<b>DUSTER (HS)</b>									
1.5 dCi, 1.5 dCi 4x4, 1.6 16V, 2.0, 2.0 4x4	66-105	01.11		F	07.B314.79			NEW	
<b>ESPACE II (J/S63_)</b>									
2.8 V6	110	01.91	10.96	F	07.B314.50				
<b>ESPACE III (JEO_)</b>									
2.0, 3.0, 1.9dTi, 2.2TD, 2.2 dTi	72-140	11.96	10.00			R	07.B315.06		
2.0, 3.0, 1.9dTi, 2.2TD, 2.2 dTi	72-140	11.96	10.00			R	07.B315.25		
<b>FLUENCE</b>									
1.6, 2.0, 1.5dCi, Z.E.	66-103	02.10		F	07.B314.79	R	07.B315.25		

	kW	 31			
			F - Part Number	R - Part Number	
<b>GRAND SCENIC II (JMO/1_)</b> 1.6, 2.0, 1.5, 1.9dCi, 2.0dCi	78-118	02.09			R 07.B315.25
<b>GRAND SCENIC III (JZO/1_)</b> 1.4, 1.6, 2.0, 1.5, 1.9dCi, 2.0dCi	78-118	02.09			R 07.B315.25
1.6 16V BiFuel	81	02.09	F 07.B314.79		R 07.B315.25
<b>LAGUNA (B56_556_)</b> 1.6, 1.8, 2.0, 3.0, 2.2D, 2.2dT, 2.0dTi	61-140	11.93	04.99	F 07.B314.50	R 07.B315.06
<b>MEGANE I (BA0/1_ LA0/1_)</b> 1.4, 1.6, 1.8, 2.0, 1.9dTi, 1.9DCi	60-108	07.96			R 07.B315.13
<b>MEGANE COACH (DA0/1_)</b> 2.0, 1.9dTi, 1.9 Dci	75-108	03.96	02.01	F 07.B314.50	R 07.B315.13
<b>MEGANE GRANDTOUR (KA0/1_)</b> 1.4 16v, 1.6 16v, 1.8 16v, 1.9 dCi, 1.9 dTi	59-85	03.99	08.03		R 07.B315.25
<b>MEGANE CC (EZ0/1_)</b> 1.2 Tce, 1.4 Tce, 1.5 dCi, 1.6 16V, 1.6 dCi, 1.9 dCi, 2.0 CVT	96-103	06.10		F 07.B314.79	R 07.B315.25
2.0 Tce	132	06.10		F 07.B314.21	R 07.B315.25
<b>MEGANE II (BMO/1_ CMO/1_)</b> 1.2, 1.4, 1.6, 2.0, 2.0Turbo, 1.5dCi, 1.9dCi, 2.0dCi	60-120	11.02	01.07		R 07.B315.25
2.0 Renault Sport	165	05.04	10.09	F 07.B314.21	R 07.B315.25
<b>MEGANE III (DZO/1_ BZO_)</b> 1.4, 1.6, 2.0, 1.5dCi, 1.9dCi, 2.0dCi	68-132	11.08		F 07.B314.79	R 07.B315.25
Sport RS 250				F 07.B314.48	R 07.B315.25
<b>MEGANE SCENIC (JA0/1_)</b> 1.4, 1.6, 2.0, 1.9D, 1.9dT	55-84	01.97	09.99	F 07.B314.50	R 07.B315.25
<b>MODUS (F/JP0_)</b> 1.2, 1.4, 1.6, 1.5dCi	48-82	12.04			R 07.B315.25
<b>SAFRANE I (B54_)</b> 2.0, 2.2, 3.0, 2.1dT, 2.5dT	77-193	11.92	07.96	F 07.B314.50	R 07.B315.06
<b>SAFRANE II (B54_)</b> 2.0, 2.5, 2.9, 3.0, 2.2dT	83-140	07.96	12.00	F 07.B314.50	R 07.B315.06
<b>SCENIC I (JA0/1_)</b> 1.4, 1.6, 2.0, 1.5, 1.9dCi, 2.0dCi	70-103	09.99	08.03		R 07.B315.25
<b>SCENIC II (JMO/1_)</b> 1.4, 1.6, 2.0, 1.9D, 1.5cDi, 1.9dCi, 2.0dCi	74-120	06.03			R 07.B315.25
<b>SCENIC III (JZO/1_)</b> 1.5dCi, 1.6 16V, 1.6 16V BiFuel, 1.6 E85	63-81	02.09		F 07.B314.79	R 07.B315.25
1.6dCi, 1.9dCi, , 2.0 16V, 2.0dCi	96-118	02.09			R 07.B315.25
<b>SPORT SPIDER</b> 2.0	108-110	03.95	10.99	F 07.B314.50	
<b>SUPER 5 &amp; THALIA</b> 1.4 TURBO, 1.7, 2.0	88-118	10.86	03.95		R 07.B315.13
<b>TWINGO (CNO_)</b> 1.6 RS	98	05.08			R 07.B315.25
<b>ROLLS-ROYCE</b>					
<b>PHANTOM</b> 6.75	338	05.03			R 07.B315.02
<b>ROVER</b>					
<b>25</b> 1.1, 1.4, 1.8, 2.0iDT	44-107	10.99	05.04		R 07.B315.05
<b>75</b> 1.8, 1.8T, 2.0, 2.5, 2.0CDT, 2.0CTDI	85-130	02.99			R 07.B315.26
<b>600</b> 1.8, 2.0, 2.3	77-147	08.93	02.99	F 07.B314.44	
<b>SAAB</b>					
<b>9-3</b> 1.8, 1.9, 2.0, 2.2, 2.8	88-206	09.04	02.15	F 07.B314.41	
<b>9-5 (YS3E)</b> 2.0, 2.3, 2.3 TURBO, 1.9TiD, 3.0TiD	88-191	09.94			R 07.B315.26
<b>SEAT</b>					
<b>ALHAMBRA (7V8, 7V9)</b> 2.0, 1.8T, 1.9TDI, 2.0TDI	66-110	04.96	05.03	F 07.B314.70	R 07.B315.25
<b>ALHAMBRA (710)</b> 1.4,&2.0TSI, 1.8TFSI, 2.0TDI	85-147	06.10		F 07.B314.81	
<b>ALTEA (5P1)</b> 1.4TSI, 1.8TSI, 2.0FSI, 2.0TFSI, 2.0TDI	92-147	03.04		F 07.B314.52	R 07.B315.25
1.4, 1.6, 1.2TSI, 1.6TDI, 1.9TDI	63-75	03.04		F 07.B314.53	R 07.B315.25
<b>ALTEA (5P5, 5P8)</b> 1.4TSI, 1.8TSI, 2.0FSI, 2.0TFSI, 2.0TDI	92-147	10.06		F 07.B314.52	R 07.B315.25
1.4, 1.6, 1.2TSI, 1.6TDI, 1.9TDI	63-75	03.04		F 07.B314.53	R 07.B315.25













	kW					
			F - Part Number	R - Part Number		
<b>ATECA (KH7)</b> 1.0TSI, 1.4TSI, 1.4TSI 4Drive, 1.6TDI, 2.0TDI, 2.0TDI 4Drive	85-140	04.16		F 07.B314.93	R 07.B315.41	<b>NEW</b>
<b>CORDOBA (6K2/C2)</b> 1.8, 2.0, 1.9TDI	66-110	02.93	06.99		R 07.B315.25	
<b>CORDOBA (6L2)</b> 1.2, 1.4, 1.6, 1.4TDI, 1.9TDI, 1.9SDI	51-96	09.02		F 07.B314.53	R 07.B315.25	
2.0, 1.9TDI	85-96	09.02		F 07.B314.56	R 07.B315.25	
<b>EXEO (3R2)</b> 1.6, 1.8T, 2.0TDI, 2.0TFSI	75-147	12.08		F 07.B314.54	R 07.B315.25	
1.6, 1.8T, 2.0TDI, 2.0TFSI	75-147	12.08		F 07.B314.55	R 07.B315.25	
<b>EXEO ST (3R5)</b> 1.6, 1.8T, 2.0TDI, 2.0TFSI	75-147	06.09		F 07.B314.55	R 07.B315.25	
<b>IBIZA II (6K1)</b> 1.8, 2.0, 1.9TDI	66-95	11.93	08.99		R 07.B315.25	
<b>IBIZA III (6L1)</b> 1.2, 1.2 12v, 1.4 16v, 1.4TDI, 1.6, 1.6 16V, 1.9SDI, 1.9TDI	44-96	02.02	11.09	F 07.B314.53		For PR number 1LQ, 1ZF
1.4 16v, 1.8 T FR, 1.9TDI, 2.0	55-110	02.02	11.09	F 07.B314.56		For PR number 1LN, 1ZH
1.8T Cupra R, 1.9TDI Cupra R	118-132	01.04	02.08	F 07.B314.27		
<b>IBIZA IV (6L1)</b> 1.2, 1.2 12v, 1.4 16v, 1.4TDI, 1.6, 1.6 16V, 1.9SDI, 1.9TDI, 2.0	44-96	02.02	11.09	F 07.B314.53		For PR number 1LQ, 1ZF
1.8T Cupra R, 1.9TDI Cupra R	118-132	01.04	02.08	F 07.B314.27 or .70		For PR number 1LT
1.4 16v, 1.6 16v, 1.8 T FR, 1.9TDI, 2.0	55-110	02.02	11.09	F 07.B314.56		For PR number 1LN, 1ZH
<b>IBIZA IV (6J5, 6P1, 6J1, 6P5, 6J8, 6P8)</b> 1.0, TSI, 1.2, TDI, TSI, 1.4, TDI, TSI, 1.6, LPG, TDI, 1.9TDI, 2.0, TDI	44-110	03.08		F 07.B314.53		For Pr number 1LQ, 1ZF, 1ZG, 1LR
1.0, TSI, 1.2TSI, 1.4TDI, TSI, 1.9 TDI, 2.0, TDI	55-105	03.08		F 07.B314.52		For Pr number 1LC, 1ZC
1.4TSI, 1.6TDI, 1.9TDI, 2.0, 2.0TDI	77-110	03.08		F 07.B314.56		For Pr number 1LN, 1ZH
<b>LEON (1M1)</b> 1.4 16V, 1.6, 1.6 16v, 1.9SDI, 1.9TDI	55-92	11.99	06.06	F 07.B314.53	R 07.B315.25	For PR number 1LQ, 1LR, 1LS
1.6, 1.9 TDI	74-96	12.96	05.03	F 07.B314.70	R 07.B315.25	For PR number: 1LE/9U0, 1LN
1.8i Turbo Cupra R	165	07.03	06.06	F 07.B314.03		
1.8i 20V T, 1.8 20V T4, 1.9 TDI, 1.9 TDI Syncro	96-132	11.99	06.06	F 07.B314.27		For PR number 1LE, 1LN, 1ZD, 1ZE, 1ZH
1.8 20V T, 1.8 20V T4, 1.8 T Cupra R, 1.9 TDI, 1.9 TDI Syncro, 2.8, 2.8 Cupra 4	96-154	11.99	06.06	F 07.B314.54	R 07.B315.25	
<b>LEON (1P1)</b> 1.4, 1.8&2.0TSI, 2.0 FSI, 2.0TDI	92-155	06.06		F 07.B314.52	R 07.B315.25	Changes by R disc Ø ref note 1
1.4, 1.8&2.0TSI, 2.0 FSI, 2.0TDI	92-155	06.06		F 07.B314.52	R 07.B315.22	Changes by R disc Ø ref note 1
1.2, TFSI, 1.4, 1.6, 1.9TDI	66-195	06.06		F 07.B314.53	R 07.B315.25	
1.4, 1.8&2.0TSI, 2.0 FSI, 2.0TDI	92-155	06.06		F 07.B314.52	R 07.B315.22	
2.0 TFSI	177-195	11.06		F 07.B314.55	R 07.B315.25	
1.4, 1.8&2.0TSI, 2.0 FSI, 2.0TDI	92-155	06.06		F 07.B314.52	R 07.B315.22	
<b>LEON (5F1)</b> 1.0, 1.2, 1.4&1.8TSI, 1.6&2.0TDI	63-135	09.12		F 07.B314.93		
1.6 TDI	85	11.16		F 07.B314.93	R 07.B315.41	For PR number 1ZE
1.6 TDI	85	11.16		F 07.B314.81	R 07.B315.41	For PR number 1LJ
2.0 Cupra	195-213	10.13		F 07.B314.83	R 07.B315.22	
<b>LEON SC (5F5)</b> 1.0, 1.2, 1.4TSI, 1.6&2.0TDI	66-135	02.13		F 07.B314.93		
1.8TSI, 2.0TDI	81-132	02.13		F 07.B314.93	R 07.B315.22	For PR number 1ZA, 1ZE
2.0 Cupra	195-213	10.13		F 07.B314.83	R 07.B315.22	
<b>LEON ST (5F8)</b> 1.0, 1.2, 1.4TSI, 1.4TGI, 1.6TDI, 4Drive	63-92	08.13		F 07.B314.93		
1.4TSI, 1.6TDI 4Drive, 1.8TSI, 4Drive, 2.0TDI, 4Drive, 2.0 Cupra	77-135	08.13		F 07.B314.93	R 07.B315.22	For PR number 1ZA, 1ZE
1.6 TDI	85	11.16		F 07.B314.93	R 07.B315.41	For PR number 1ZE
1.6 TDI	85	11.16		F 07.B314.81	R 07.B315.41	For PR number 1LJ
1.6TDI 4Drive, 2.0 Cupra	195-213	10.13		F 07.B314.81	R 07.B315.22	For PR number 1LJ, 1LG, 1LD
2.0 Cupra	195-213	10.13		F 07.B314.83	R 07.B315.22	For PR number 0E5, FC1
<b>Mii (KF1)</b> 1.0	44-55	10.11		F 07.B314.53		
<b>TOLEDO I (1L)</b> 1.8, 2.0, 1.9TDI	85-110	05.91	03.99		R 07.B315.25	
<b>TOLEDO II (1M2)</b> 1.6, 1.8, 1.9SDI, 1.9TDI	50-92	04.99	05.06	F 07.B314.53	R 07.B315.25	
1.8 4x4, 2.3, 2.8, 1.9TDI	96-165	04.99	05.06	F 07.B314.54 or .70*	R 07.B315.25	*different wear indicators
<b>TOLEDO III (5P2)</b> 1.8&2.0TFSI, 2.0TDI	110-147	05.06	05.09	F 07.B314.52	R 07.B315.25	
1.6, 1.9TDI	75-77	10.04	05.09	F 07.B314.53	R 07.B315.25	








	kW			F - Part Number		R - Part Number		
<b>TOLEDO IV (KG3)</b>								
1.2, 1.2 TSI, 1.4 TDI, 1.4 TSI, 1.6, 1.6 TDI	55-92	07.12		F	07.B314.53	R	07.B315.25	For PR number 1ZG
1.2, 1.2 TSI, 1.4 TDI, 1.4 TSI, 1.6, 1.6 TDI	55-92	07.12		F	07.B314.52	R	07.B315.25	For PR number 1ZC
<b>SKODA</b>								
<b>CITIGO</b>								
1.0	44-55	10.11		F	07.B314.53			
<b>FABIA I (6Y2, 6Y3, 6Y5)</b>								
1.2, 1.4, 1.6, 1.4, 1.6&1.9TDI, 1.9SDI	47-74	12.99	03.08	F	07.B314.53	R	07.B315.25	
2.0, 1.9TDI RS	85-96	12.99	05.09	F	07.B314.56	R	07.B315.25	
<b>FABIA II (542, 545)</b>								
1.2, 1.2 12V, 1.2 TDI, 1.2 TSI, 1.4, 1.4 TDI, 1.6, 1.6 TDI, 1.9 TDI	44-77	12.06	12.14	F	07.B314.53	R	07.B315.25	For PR number 1LQ+9U0 ; 1LR+9U0. 1ZG, 1LQ+9U1, 1LR+9U1
1.2 TDI, 1.2 TSI, 1.4 TSI RS, 1.6 TDI	55-132	03.10	12.14	F	07.B314.52	R	07.B315.25	For PR number 1ZC, 1ZD
1.2 TSI, 1.4, 1.4 TDI, 1.6, 1.6 TDI, 1.9 TDI	59-77	01.07	12.14	F	07.B314.56	R	07.B315.25	For PR number 1LN+9U1, 1LN+9U0
<b>FABIA III (NJ3, NJ5)</b>								
1.0, 1.2 TSI, 1.4 TDI, 1.6	44-81	08.14		F	07.B314.53	R	07.B315.25	For PR number 1ZG
1.0, 1.2 TSI, 1.4 TDI, 1.6	44-81	08.14		F	07.B314.52	R	07.B315.25	For PR number 1ZC, 1ZD
<b>KODIAQ (NS7)</b>								
1.4 TSI, 1.4 TSI 4x4, 2.0 TDI, 2.0 TDI 4x4, 2.0 TSI 4x4	92-140	10.16		F	07.B314.81			
<b>OCTAVIA (1U2, 1U5)</b>								
1.4, 1.4 16V, 1.6, 1.8, 1.9 SDI, 1.9 TDI, 2.0	44-96	12.07		F	07.B314.53	R	07.B315.25	
1.8T, 1.8T 4x4, RS1.8T, 1.9TDI	92-132	08.97	12.10	F	07.B314.54 or .70*	R	07.B315.25	* different wear indicators
1.8T, 1.8T 4x4, 1.9TDI	96-110	08.97	12.10	F	07.B314.27	R	07.B315.25	
<b>OCTAVIA (1Z3, 1Z5)</b>								
1.8&2.0TSI, 2.0FSI, 2.0TDI	100-147	02.04		F	07.B314.52	R	07.B315.22	
1.4, 1.6, 1.4&1.6TSI, 1.6&2.0FSI, 1.6&2.0TDI	55-118	02.04		F	07.B314.53	R	07.B315.22 or .25	Changes by R disc Ø ref note 1
<b>OCTAVIA (5E3, 5E5)</b>								
1.0, 1.2, 1.4, 1.8&2.0RS TSI, 1.6, 2.0 &2.0RS TDI	66-169	11.12		F	07.B314.93			For PR number 1ZE, 1ZA, 1ZB
2.0TSI RS, 2.0TDI RS	135-169	05.13		F	07.B314.81			For PR number 1LG
<b>RAPID</b>								
1.2TSI, 1.4TSI, 1.6TDI	70-90	10.12		F	07.B314.52			For PR number 1ZC
1.2TSI, 1.4TSI, 1.6TDI	70-90	10.12		F	07.B314.53			For PR number 1ZG
<b>ROOMSTER (5J)</b>								
1.2, 1.4	43-63	07.06		F	07.B314.53	R	07.B315.25	dia 256mm disc
1.2, 1.4	51-77	07.06		F	07.B314.56	R	07.B315.25	dia 288mm disc
1.2, 1.6TDI	55-65	03.10		F	07.B314.54	R	07.B315.25	
<b>ROOMSTER PRAKTIC</b>								
1.2, 1.4	51-63	03.07	03.10	F	07.B314.53	R	07.B315.25	
1.4TDI	51-59	03.07	03.10	F	07.B314.54	R	07.B315.25	
1.2, 1.6TDI	55-65	03.10		F	07.B314.54	R	07.B315.25	
<b>SUPERB (3T4, 3T5)</b>								
1.4&1.8 TSI, 1.6, 1.9&2.0 TDI	92-105	11.08		F	07.B314.52	R	07.B315.22	
3.6 V6	191	11.08		F	07.B314.55	R	07.B315.22	
<b>SUPERB (3U4)</b>								
2.0, 1.8T, 1.9, 2.0&2.5TDI, 2.8V6	85-142	02.02	03.08	F	07.B314.54	R	07.B315.25	
<b>SUPERB (3V3, 3V5)</b>								
1.4&2.0TSI, 1.6&2.0TDI	88-206			F	07.B314.81			For PR number 1LA
1.4&2.0TSI, 1.6&2.0TDI	88-206			F	07.B314.93			For PR number 1ZA
<b>YETI (5L)</b>								
1.2TSI, 1.4TSI, 4x4, 1.6, 1.6TDI, 1.8TSI 4x4, 2.0TDI, 2.0TDI 4x4	77-110	09.09		F	07.B314.53			For PR number 1ZF
1.2TSI, 1.4TSI, 4x4, 1.6, 1.6TDI, 1.8TSI 4x4, 2.0TDI, 2.0TDI 4x4	77-110	09.09		F	07.B314.52			For PR number 1ZA, 1ZE
1.6 TDI, 1.8 TSI 4x4, 2.0 TDI, 2.0 TDI 4x4	77-125	05.09				R	07.B315.22	For PR number 1KJ
<b>SUBARU</b>								
<b>BRZ</b>								
2.0	147	06.12		F	07.B314.73			
<b>EXIGA (YA_)</b>								
2.0, 2.0 AWD, 2.0 GT AWD, 2.5 AWD	109-165	05.08		F	07.B314.73	R	07.B315.39	
<b>FORESTER (SF)</b>								
2.0, 2.0 TURBO	90-160	07.97	09.02	F	07.B314.23	R	07.B315.17	
<b>FORESTER (SG)</b>								
2.0, 2.5, 2.0 TURBO	116-169	09.02				R	07.B315.17	
<b>FORESTER (SH), (SJ)</b>								
2.0, 2.5, 2.0D, 2.0x	84-110	03.12		F	07.B314.73	R	07.B315.39	








	kW								
			F - Part Number	R - Part Number					
<b>IMPREZA (GFC, GF, GC)</b>									
2.0 Turbo AWD	155	12.96	01.97	F	07.B314.22 or .23	R	07.B315.18		
2.0 AWD	206	09.98	09.00	F	07.B314.10	R	07.B315.17		
1.6, 1.8, 2.0, 2.0 Turbo	66-155	01.93	12.00			R	07.B315.18		
2.0, 2.0i	85-92	01.99	12.00			R	07.B315.17		
<b>IMPREZA (GG, GD)</b>									
2.0 AWD, 2.0 WRX STI AWD, 2.5 AWD, 2.5 WRX AWD	169-221	09.05		F	07.B314.51	R	07.B315.19		
2.0 Turbo AWD, 2.0 WRX Turbo AWD	160-165	12.00		F	07.B314.10	R	07.B315.19		
1.6, 2.0	70-92	12.00		F	07.B314.23	R	07.B315.17		
1.5, 1.5 AWD, 2.2	74-94	06.01				R	07.B315.17		
<b>IMPREZA HATCHBACK</b>									
2.0 i AWD, 2.0 i WRX AWD, 2.0 WRX STi AWD, 2.5 AWD	92-195	12.02	12.07	F	07.B314.23	R	07.B315.17		
2.5 WRX AWD	169	09.05	12.07	F	07.B314.10	R	07.B315.19		
<b>IMPREZA (GR, GH, G3)</b>									
2.5 AWD, 2.5 STi CS400 AWD	227-294	01.08		F	07.B314.51	R	07.B315.39		
2.5 WRX STi AWD	221	01.08		F	07.B314.51	R	07.B315.19		
1.5AWD, F, 2.0D AWD, R AWD, 2.5AWD, WRX S AWD, WRX STi 330S AWD	79-243	01.08				R	07.B315.39		
<b>IMPREZA (GP, GJ)</b>									
2.0, 2.0 AWD, 2.0 Hybrid AWD	220	01.12		F	07.B314.73	R	07.B315.39		
<b>IMPREZA (GT)</b>									
1.6i, 1.6i AWD, 2.0i, 2.0i AWD	85-113	10.16		F	07.B314.73				
<b>LEGACY I (BC)</b>									
2.0 Turbo & Turbo S AWD	147	05.92	07.94	F	07.B314.22	R	07.B315.18		
1.8, 1.8 4x4, 2.0 AWD, 2.2 AWD	76-100	01.89	07.94			R	07.B315.18		
<b>LEGACY II (BD,BG)</b>									
2.5i AWD	110	06.96	03.99	F	07.B314.23	R	07.B315.18		
2.0i, 1.8, 2.0&2.2 AWD	76-94	09.94	03.99			R	07.B315.18		
<b>LEGACY III (BE,BH)</b>									
2.0, 2.5	92-115	10.98	07.00	F	07.B314.23	R	07.B315.18		
2.5, 2.0 4X4, 3.0 AWD	92-154	08.00	08.03	F	07.B314.23	R	07.B315.17		
<b>LEGACY IV</b>									
2.0, 2.5, 2.5i	121-140	06.05				R	07.B315.17		
<b>LEGACY V</b>									
2.0, 2.5, 2.5i	108-129	09.09		F	07.B314.73	R	07.B315.39	NEW	
<b>OUTBACK (BE, BH)</b>									
2.5, 3.0, 2.0D	115-154	10.00	08.03	F	07.B314.23	R	07.B315.17		
<b>OUTBACK (BR, BS)</b>									
2.0, 2.5, 2.5i	108-191	09.09		F	07.B314.73	R	07.B315.39	NEW	
<b>SVX</b>									
3.3i 4WD	169	09.92	12.97			R	07.B315.18		
<b>WRX (GJ, GP)</b>									
2.0 AWD, STi 2.0 AWD, STi 2.5 AWD,	197-236	10.11		F	07.B314.51	R	07.B315.39	NEW	
<b>SUZUKI</b>									
<b>IGNIS (FH)</b>									
1.3	61	10.00	09.03			R	07.B315.09		
<b>TOYOTA</b>									
<b>AVENSIS (_T22_)</b>									
1.6, 1.8, 2.0, 2.0VT, 2.0D, 2.0TD	66-110	01.00	07.01	F	07.B314.24				
<b>CARINA E (_T19_)</b>									
2.0 GTi	116-129	04.92	09.97	F	07.B314.24				
<b>GT86</b>									
2.0 GT	147	03.12		F	07.B314.73		07.B315.39		
<b>HI-LUX</b>									
				F	07.B314.10	R	07.B315.20	with Sumitomo caliper	
<b>LAND CRUISER (J20)</b>									
4.7 V8, 4.5 D	195-212	01.08		F	07.B314.25	R	07.B315.20		
<b>MR 2 (_W2_)</b>									
2.0	88-125	12.91	05.00	F	07.B314.24				
<b>VAUXHALL</b>									
<b>ADAM</b>									
1.4	110	11.14		F	07.B314.26			NEW	
<b>ASTRA Mk IV</b>									
1.2, 1.4, 1.6, 1.7TD, 1.7CTDI	48-74	09.98	05.05			R	07.B315.21		
1.8, 2.0, 2.2, 2.0Di, 2.0DTI	85-108	09.98	05.05	F	07.B314.26	R	07.B315.21		
<b>ASTRA V</b>									
1.4, 1.6, 1.8, 2.0Turbo, 1.7TD, 1.3CDTI, 1.9CDTI	74-147	08.04		F	07.B314.26	R	07.B315.21		
<b>CAVALIER Coupe</b>									
1.9S, 2.0S	66-74	10.75	08.78	F	07.B314.27				

	kW			F - Part Number		R - Part Number		
<b>COMBO</b> 1.4, 1.6, 1.3CDTI, 1.7CDTI 1.4, 1.6, 1.3CDTI, 1.7CDTI	48-74 48-74	08.04 08.04		F	07.B314.26	R R	07.B315.21 07.B315.21	high payload
<b>CORSA</b> 1.6 SRI, 1.6 Turbo 1.3CDTI	74-141 66	02.07 07.06		F F	07.B314.26 07.B314.40			only for 284mm disc
<b>MERVIA</b> 1.4, 1.6, 1.8, 1.6Turbo, 1.3CDTI, 1.7CDTI	55-132	05.03	08.05			R	07.B315.21	
<b>SPEEDSTER</b> 2.0	162	10.03	09.06	F	07.B315.27	R	07.B315.06	
<b>VECTRA</b> 2.8 V6 Turbo	188	08.05	07.08	F	07.B314.55			
<b>VX220</b> 2.2, 2.0 Turbo	108-147	09.00		F	07.B315.27	R	07.B315.06	
<b>ZAFIRA</b> 1.6, 1.8, 2.2, 2.0Turbo, 2.2D, 2.0DI, 2.0DTI	60-147	04.99	05.06	F	07.B314.26	R	07.B315.21	
<b>ZAFIRA Mk II</b> 1.6, 1.8, 2.2, 1.7CDTI, 1.9CDTI	81-110	07.05		F	07.B314.26	R	07.B315.21	
<b>VOLVO</b>								
<b>C30</b> D5, T5	80-162	10.06		F	07.B314.41			17" brake system only
<b>C70 I</b> 2.0, 2.5, 2.0T, 2.3T, 2.4T, 2.5T	120-180	03.97	10.05	F	07.B314.54			
<b>C70 II</b> 2.4, T5, 2.0D, D5	103-169	03.06		F	07.B314.41			
<b>S40 II (MS)</b> 1.6, 1.8, 2.0, 2.4, T5, 1.6D, 2.0D	74-169	01.04		F	07.B314.41			17" brake system only
<b>S60</b> R 2.5T AWD All models	221 84-224	03.03 01.10		F	07.B314.48	R R	07.B314.39 07.B314.34	with electronic handbrake
<b>S70 (P80_)</b> 2.0, 2.3, 2.4, 2.5, 2.0T, 2.5T, 2.3T5, 2.5TDI	93-184	01.97	11.00	F	07.B314.54			
<b>S80</b> All models	80-224	01.06				R	07.B314.34	with electronic handbrake
<b>V40</b> D2, D3, D4, T2, T3, T4, T5	84-187	03.12		F	07.B314.41			<b>NEW</b>
<b>V50 (MW)</b> 1.6, 1.8, 2.0, 2.4, T5, 1.6D, 2.0D, 2.4Tdi	74-169	04.04		F	07.B314.41			
<b>V60</b> All models	84-224	01.10				R	07.B314.34	with electronic handbrake
<b>V70 I ESTATE (P80_)</b> 2.0, 2.4, 2.5, 2.0T, 2.3T, 2.5TDI	93-195	01.97	03.00	F	07.B314.54			
<b>V70 II ESTATE (P80_)</b> 2.5T, 2.5R	147-221	12.02		F	07.B314.48	R	07.B314.39	
<b>V70 III</b> All models	84-224	01.10				R	07.B314.34	with electronic handbrake
<b>XC-60</b> All models	120-224	01.08				R	07.B314.34	with electronic handbrake
<b>XC-70 II</b> All models	120-224	01.07				R	07.B314.34	with electronic handbrake
<b>VW</b>								
<b>AMAROK (2HA, 2HB, S1B, S6B, S7A, S7B)</b> All models	90-165	09.11		F	07.B314.92			
<b>BEETLE (5C1, 5C2, 5C7, 5C8)</b> 1.2TSI, 1.2TSI 16V, 1.4TSI, 1.6TDI, 2.0TDI, 2.0 TSI, 2.5	77-162	04.11		F	07.B314.52			
<b>BORA (1J2)</b> 1.4, 1.6, 1.8, 2.0, 1.6FSI, 1.9SDI, 1.9TDI 1.8 & 2.0 4WD, 2.3, 2.8, 1.8T, 1.9TDI	50-92 110-150	10.98 10.98	05.05 05.05	F F	07.B314.53 07.B314.54 or .70*	R R	07.B315.25 07.B315.25	*different wear indicators
<b>CADDY III</b> 1.4, 1.6, 2.0, 2.0SDI, 1.9TDI, 2.0TDI 1.4, 1.6, 2.0, 1.9&2.0TDI	51-103 51-103	03.04 03.04		F F	07.B314.52 07.B314.53	R R	07.B315.22 07.B315.22	
<b>CC (358)</b> 1.4TSI, MultiFuel, 2.0TDI, 4Motion, 3.6FSI, 4Motion 1.4TSI, 1.8TSI, 2.0TDI, 4Motion, 3.6FSI 4Motion	110-220 100-220	11.11 11.11	12.16 12.16	F F	07.B314.81 07.B314.52			For PR number 1LA, 1LB For PR number 1ZG, 1ZM
<b>CORRADO (531)</b> 1.8, 2.0, 2.9	85-140	09.88	12.95			R	07.B315.25	
<b>EOS (1F7)</b> 1.4TSI, 1.6&2.0FSI, 3.2, 3.6, 2.0TDI	90-184	03.06		F	07.B314.52	R	07.B315.22	

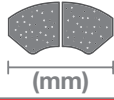


	kW				
			F - Part Number	R - Part Number	
<b>FOX (5Z1)</b> 1.0, 1.2, 1.6, 1.9D, 1.4TDI	47-76	10.03			
<b>GOLF II (19E, 1G1)</b> 1.8, 1.8GTI	62-118	08.04	10.91		
<b>GOLF III (1H1)</b> 2.0, 2.8, 2.9, 1.9TDI 1.6, 1.8, 2.0	81-140 66-79	01.92 11.91	08.97 08.97	F F	07.B314.54 or .70* 07.B315.25 07.B315.25
<b>GOLF IV (1J1)</b> 1.6, 1.8, 2.0, 1.8T, 1.6FSI, 1.9SDI, 1.9TDI 1.8T, 2.3, 2.8, 1.9TDI	68-92 96-150	08.97 08.97	06.05 06.05	F F	07.B314.53 07.B314.54 or .70* 07.B315.25 07.B315.25
<b>GOLF PLUS (5M1, 5Z1)</b> 1.4TSI, 2.0FSI, 2.0TDI 1.0, 1.4, 1.6, 1.8, 1.4, 1.6&2.0FSI, 1.9TDI	85-125 47-85	05.05 01.05	10.03 10.03	F F	07.B314.52 07.B314.53 07.B315.22 07.B315.22
<b>GOLF V (1K1)</b> 1.0, 1.6, 1.8, 2.0, 3.2, 1.9TDI 1.6, 1.8, 2.0, 1.4, 1.6&2.0FSI, 2.0GTI, 1.9&2.0TDI, GTI 2.0GTI, 3.2, 3.2R32, 2.0TDI	47-90 73-147 125-184	10.03 10.03 01.04	10.08 10.08 10.08	F F F	07.B314.53 07.B314.52 07.B314.55 07.B315.25 07.B315.22 07.B315.22
<b>GOLF VI (5K1)</b> 1.4, 1.6, 1.8, 2.0, 1.4, 1.6&2.0FSI, 2.0TDI, GTI 1.4, 1.6, 1.8, 2.0, 1.4, 1.6&2.0FSI 1.4, 1.6, 1.8, 2.0, 1.4, 1.6&2.0FSI 2.0 R 4motion	74-147 74-147 74-147 199	10.08 10.08 10.08 11.09		F F F F	07.B314.52 07.B314.52 07.B314.53 07.B314.55 07.B315.25 07.B315.22 07.B315.22 07.B315.22
<b>GOLF VII (5G1, BE1, BA5)</b> 1.0, 1.2, 1.4&1.8TSI, 1.6&2.0TDI, 2.0GTD 2.0GTI, 2.0R	63-135 162-228	08.12 04.13		F F	07.B314.93 07.B314.81 07.B315.41 07.B315.41
<b>JETTA II (19E, 1G2)</b> 1.8	62-102	01.84	10.91		
<b>JETTA III (1K2)</b> 1.6, 1.6TDI, 1.9TDI 2.0, 1.4TSI, 1.6, 2.0&2.5FSI, 2.0TDI	75-77 90-125	08.05 08.05		F F	07.B314.53 07.B314.52 07.B315.22 07.B315.22
<b>JETTA IV (162, 163)</b> 1.2TSI, 1.4TSI, 1.4TSI Hybrid, 1.6TDI, 1.8TSI, 2.0, 2.0TDI, 2.0 TSI, 2.5	77-155	04.10		F	07.B314.52
<b>LUPO (6X1, 6E1)</b> 1.4 16V, 1.4FSI, 1.6GTI, 1.4TDI	55-92	08.99	07.05		
<b>MULTIVAN</b> 2.0, 3.2, 1.9TDI, 2.0TDI, 2.5TDI	77-173	09.09			
<b>NEW BEETLE (9C1, 1C1)</b> 1.4, 1.6, 2.0, 2.5, 1.9TDI 1.8T, 2.3, 2.5	55-110 110-132	01.98 10.99	06.05 06.05	F F	07.B314.53 07.B314.54 07.B315.25 07.B315.25
<b>PASSAT (32B, 33B)</b> 1.8, 2.0, 2.2	100	01.85	03.88		
<b>PASSAT (3A2, 351, 3A5, 351)</b> 2.0, 2.8 1.8, 2.0, 1.9TDI	110-128 79-102	04.88 04.88	08.96 08.96	F F	07.B314.54 or .70* 07.B315.25 07.B315.25
<b>PASSAT (3B2)</b> 1.6, 1.8, 2.0, 1.8T, 2.3, 2.8, 1.9TDI, 2.5TDI	74-142	10.96	11.00	F	07.B314.54 or .70* 07.B315.25
<b>PASSAT (3B5)</b> 1.8T, 1.9TDI, 2.0, 2.3VR5, 2.5TDI, 2.8V6	66-142	06.97	11.00	F	07.B314.54 07.B315.25
<b>PASSAT (3C2, 3C5)</b> 1.6, 1.4, 1.6&2.0FSI, 1.4&1.8TSI, 1.9&2.0TDI 3.2FSI, 3.6 FSI, 3.6R36	75-125 184-220	05.05 06.05		F F	07.B314.52 07.B314.55 07.B315.22 07.B315.22
<b>PASSAT CC (357)</b> 1.4TSI MultiFuel, 1.8TSI, 2.0Blue TDI, TDI, 4Motion, TSI 3.6FSI 4Motion 3.6FSI 4Motion	103-155 206-220 206-220	05.08 06.08 06.08	01.12 01.12 01.12	F F F	07.B314.52 07.B314.81 07.B314.55 07.B315.55 07.B315.55 07.B315.55
<b>PASSAT (362, 365)</b> 1.4/1.8/2.0 TSI, 2.0 FSI, 1.6/2.0 TDI 3.6 FSI 4motion	77-155 220	11.12 01.11	12.14 12.14		
<b>PASSAT (3G2, 3G5)</b> 1.4 GTE Hybrid, TSI, 4Motion, 1.6TDI, 1.8TSI, 2.0TDI, 4Motion, TSI, 4Motion 1.4 TSI, 4Motion, 1.6TDI, 1.8TSI, 2.0TDI, 4Motion, TSI, 4Motion	88-206 88-206	08.14 08.14		F F	07.B314.81 07.B314.93 07.B315.22 07.B315.55
<b>PHAETON (3D2)</b> 3.2, 3.6, 6.0, 3.0&5.0 TDI	171-331	11.02	03.16	F	07.B314.01 07.B315.00

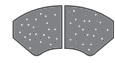
	kW						
			F - Part Number	R - Part Number			
<b>POLO (6N1)</b> 1.4, 1.6	74-88	04.96	10.99		R 07.B315.25		
<b>POLO (6N2)</b> 1.4, 1.6GTI, 1.4TDI	55-92	10.99	10.00		R 07.B315.25		
<b>POLO (6R_)</b> 1.2, 1.4, 1.2TSI, 1.2, 1.4&1.6TDI 1.2, 1.4, 1.2, 1.4&1.6TDI	44-77 44-77	06.09 06.09		F 07.B314.52 F 07.B314.53	R 07.B315.25 R 07.B315.25		
<b>POLO (9N_)</b> 1.2, 1.4, 1.6, 1.4FSI, 1.4&1.9TDI 1.8GTI, 1.9TDI 1.8GTI Cup Edition	40-74 96-110 132	10.01 11.03 05.06		F 07.B314.53 F 07.B314.56 F 07.B314.54	R 07.B315.25 R 07.B315.25 R 07.B315.25		
<b>QUANTUM</b> 2.0, 2.0 Hybrid	76-87	08.89	07.05		R 07.B315.25		
<b>SCIROCCO (53B)</b> 1.8 16V	95-102	08.03	07.08		R 07.B315.25		
<b>SCIROCCO (137)</b> 1.4 & 2.0 TSI, 2.0TDI 2.0 R	90-155 195	09.08 11.09		F 07.B314.52 F 07.B314.55	R 07.B315.25 R 07.B315.22		
<b>SHARAN (7M8,7M9,7M6)</b> 1.6, 1.8, 2.0, 2.8, 1.8T, 1.9TDI	66-150	09.95	04.00		R 07.B315.25		
<b>SHARAN (7N)</b> 1.4, 1.8&2.0TSI, 2.0TDI, 2.0TDI 4Motion	85-147	05.10		F 07.B314.81			
<b>SPACEFOX</b> 1.6, 1.6FSI, 1.9SDI	47-74	03.06		F 07.B314.53			
<b>TIGUAN (AD1)</b> 1.4&2.0TSI, 2.0TDI 1.4&2.0TSI, 2.0TDI 1.4&2.0TSI, 2.0TDI	81-155 81-155 81-155	03,08 03,08 03,08		F 07.B314.81 F 07.B314.93 F 07.D435.04	R 07.B315.55 R 07.B315.55 R 07.B315.55	For PR number 1LA,1LW For PR number 1ZA,1ZD For PR number 1LJ	<b>NEW</b> <b>NEW</b> <b>NEW</b>
<b>TOUAREG (7LA,7L6,7L7)</b> 3.2, 4.2, 6.0, 3.6&4.2FSI, 2.5, 3.0&5.0TDI 3.2V6, 3.6V6FSI, 3.0V6TDI	120-257 162-206	10.02 10.02	05.10 11.06	F 07.B314.20 F 07.B314.83	R 07.B315.16 R 07.B315.70		<b>NEW</b>
<b>TOUAREG (7P5)</b> 3.0V6TSI, 3.6V6FSI, 3.0V6TDI 3.0/4.2 TDI, 3.0 TSI, 4.2 FSI	150-245 193-265	01.10 01.10		F 07.B314.83 F 07.B314.67	R 07.B315.47		<b>NEW</b>
<b>TOURAN (5T1)</b> 1.2, 1.4&1.8TSI, 1.6&2.0TDI	81-140	05.15		07.B314.93	07.B315.41	For PR number 1ZA,1ZD	
<b>TOURAN (1T1,1T2,1T3)</b> 1.6, 2.0, 1.4TSI, 1.4&1.6FSI, 1.6, 1.9&2.0TDI	66-125	02.03		F 07.B314.52	R 07.B315.22		
<b>TRANSPORTER V BOX</b> 2.0, 3.2, 1.9,2.0&2.5 TDI	63-132	04.03			R 07.B315.00		
<b>UP</b> 1.0	44-55	12.11		F 07.B314.53			
<b>VENTO (1H2)</b> 1.6, 1.8, 2.0, 2.8, 1.9TDI	62-128	11.91	09.98	F 07.B314.54 or .70*	R 07.B315.25	*different wear indicators	



part number



(mm)

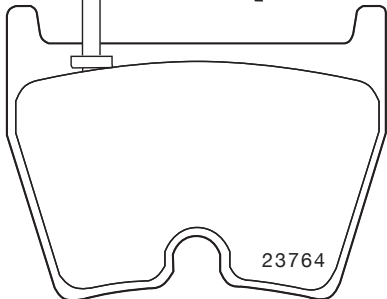
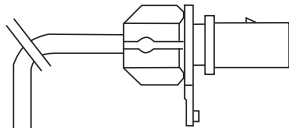
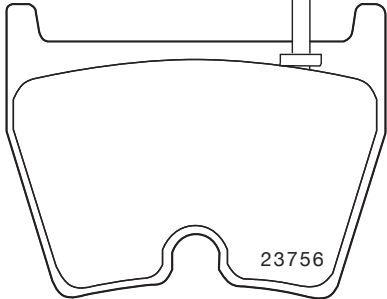
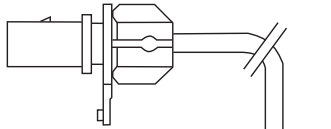
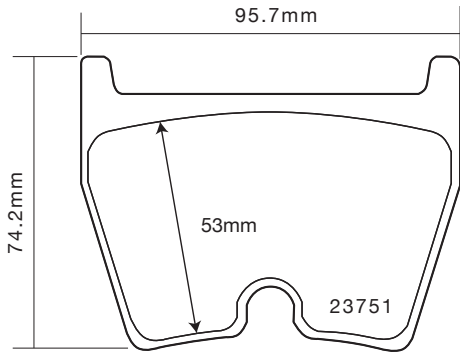


(mm)

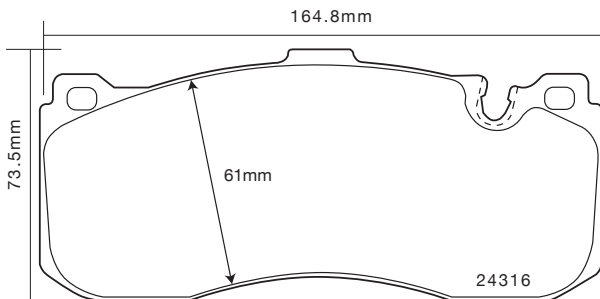


th (mm)

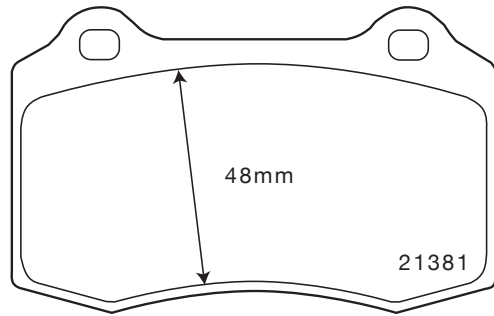
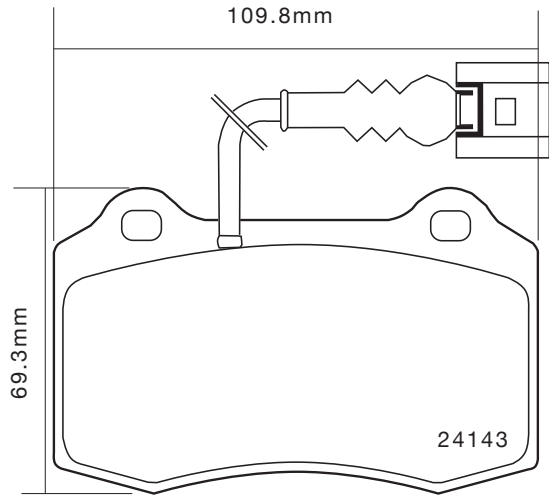
**07.B314.01 – 07.B314.04**



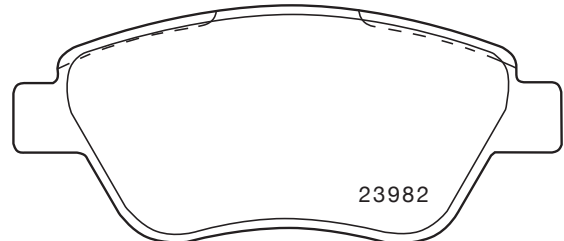
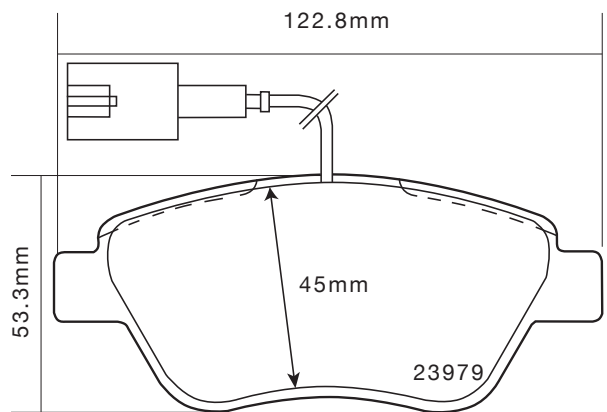
07.B314.01 th 16.7mm



07.B314.02 th 17.0mm



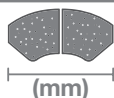
07.B314.03 th 15.0mm



07.B314.04 th 17.8mm



part number



(mm)

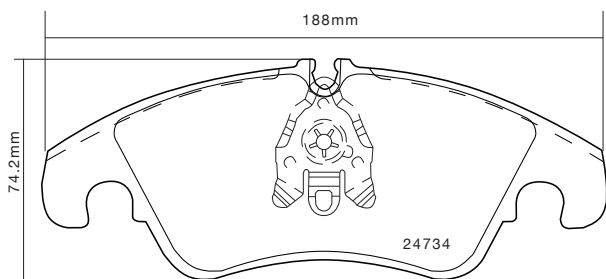


(mm)

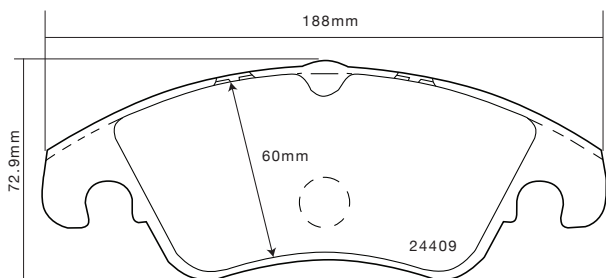


th (mm)

**07.B314.05 – 07.B314.10**

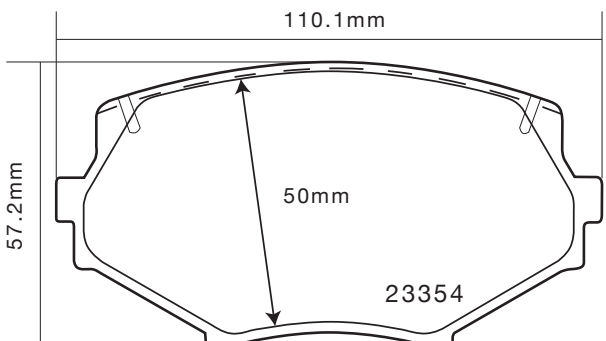


24734



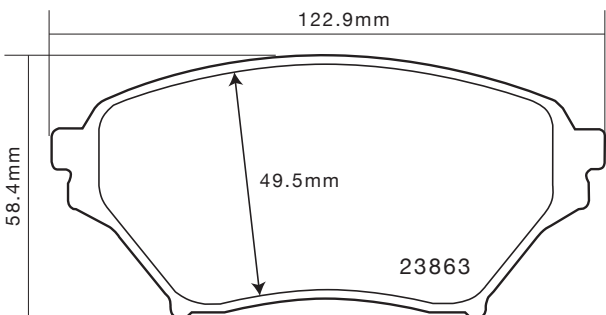
24409

07.B314.05 th 18.7mm



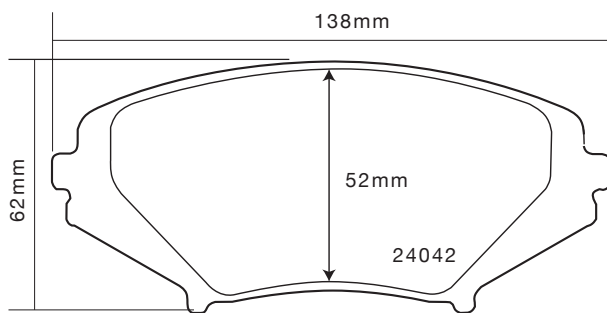
23354

07.B314.06 th 14mm



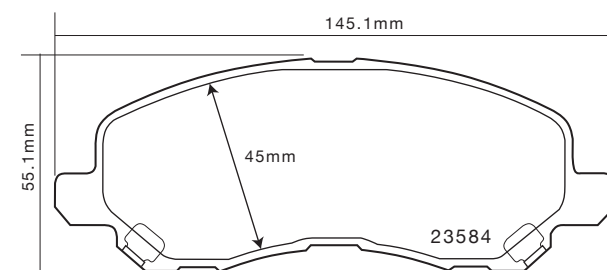
23863

07.B314.07 th 15mm



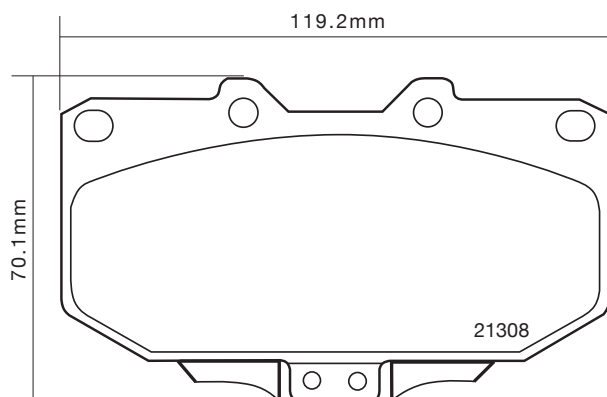
24042

07.B314.08 th 16.3mm



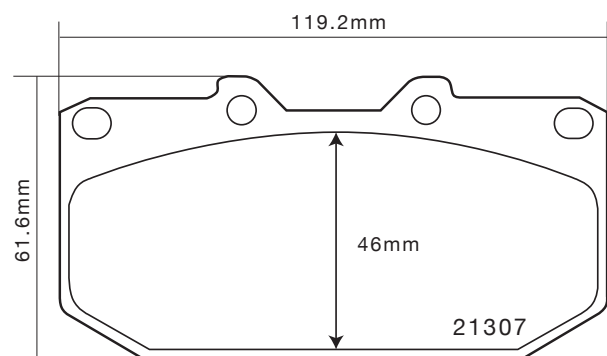
23584

07.B314.09 th 16mm



21308

07.B314.10 th 15mm

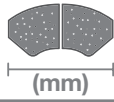


21307





part number



(mm)

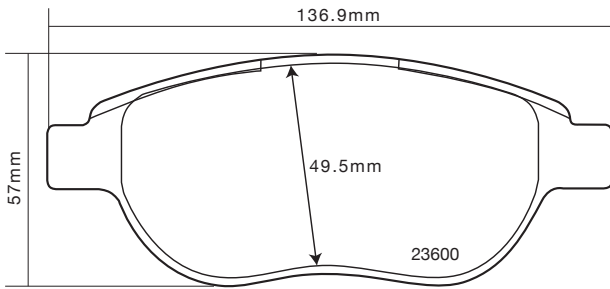


(mm)

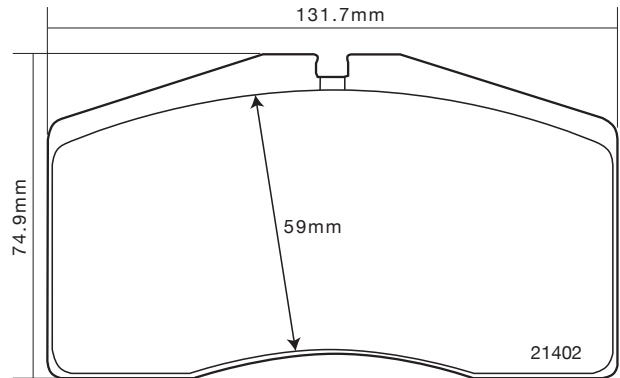


th (mm)

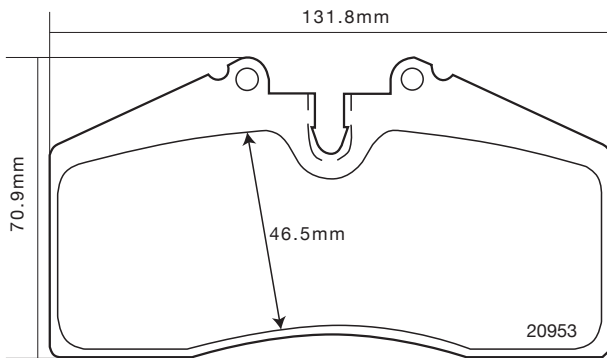
**07.B314.11 – 07.B314.16**



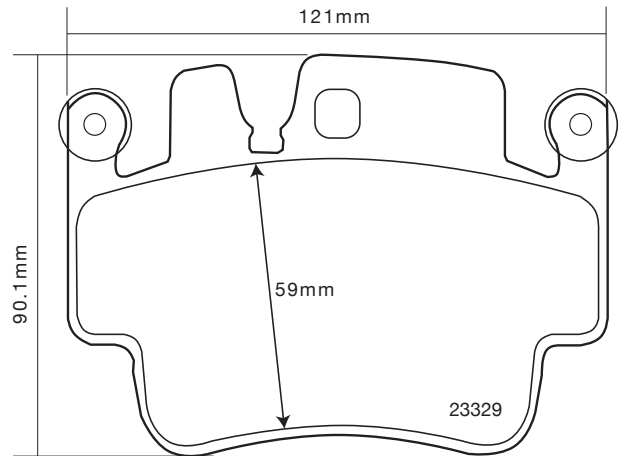
07.B314.11 th 18.4mm



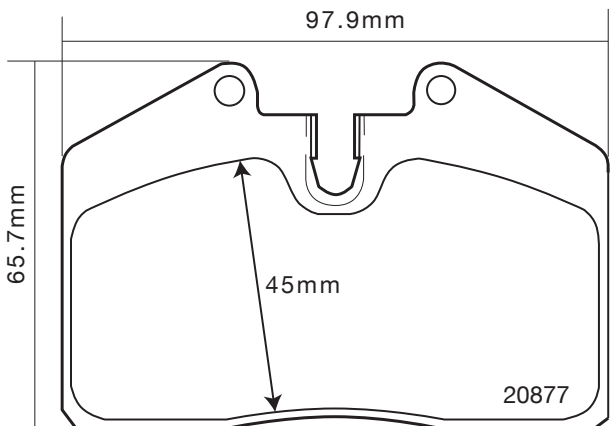
07.B314.14 th 17.5mm



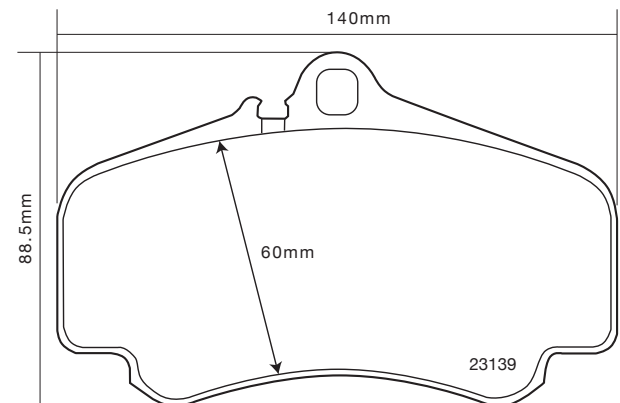
07.B314.12 th 17.5mm



07.B314.15 th 17mm



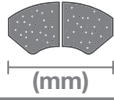
07.B314.13 th 17.5mm



07.B314.16 th 17mm



part number



(mm)

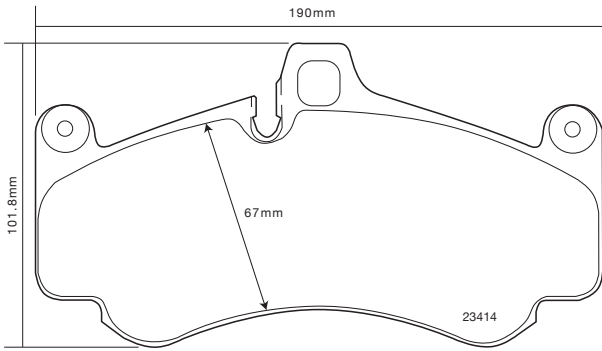


(mm)

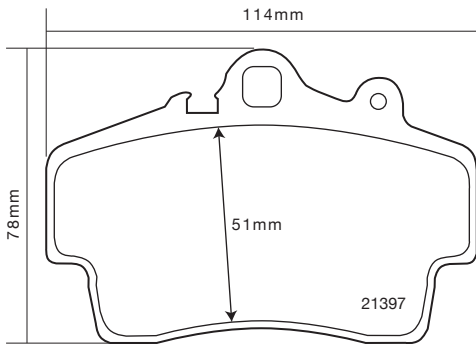


th (mm)

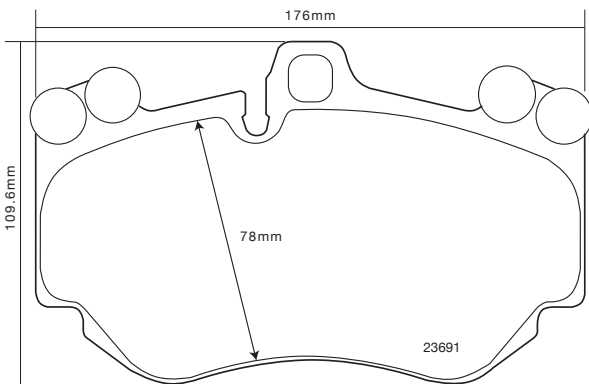
**07.B314.17 – 07.B314.22**



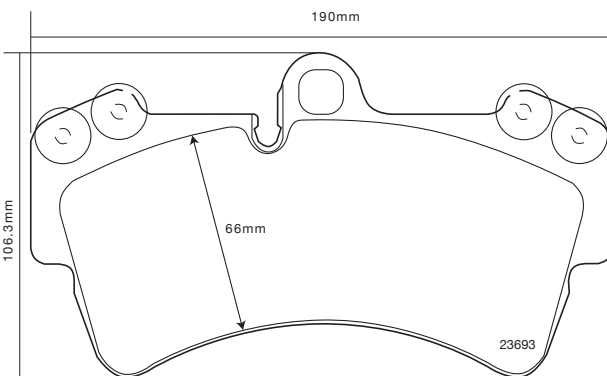
07.B314.17 th 17mm



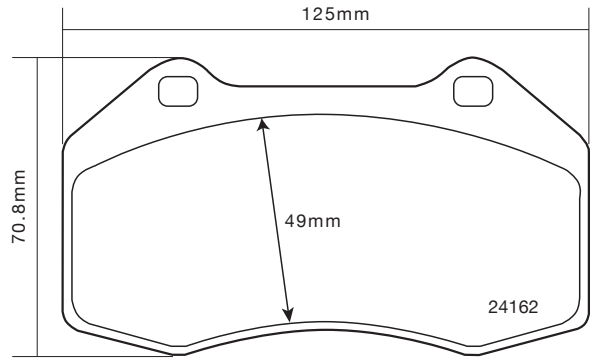
07.B314.18 th 16.2mm



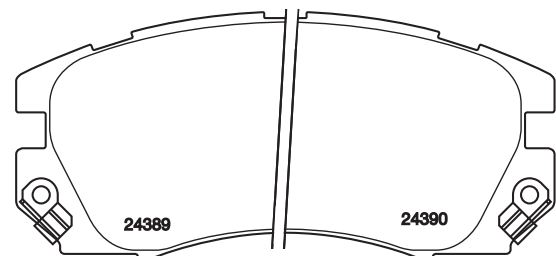
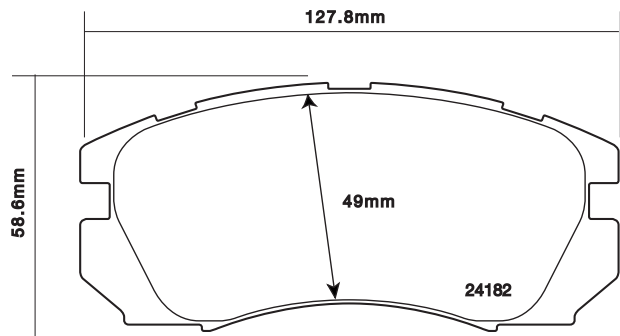
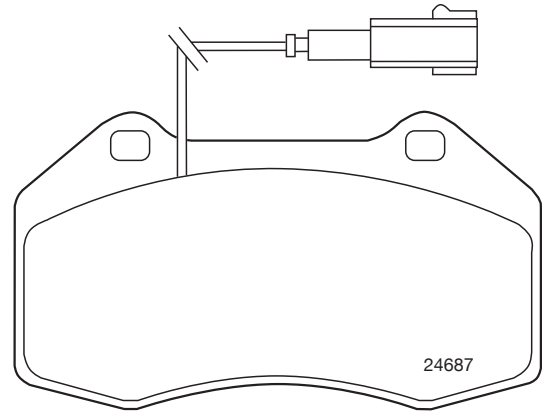
07.B314.19 th 17mm



07.B314.20 th 16.7mm



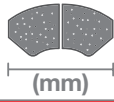
07.B314.21 th 15.3mm



07.B314.22 th 17mm



part number



(mm)

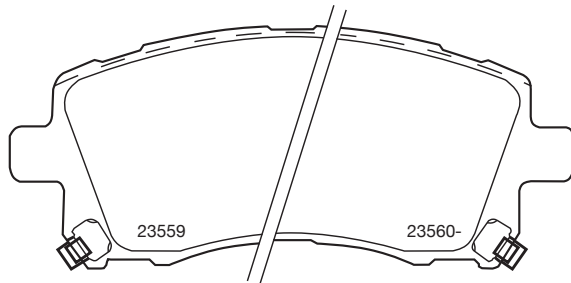
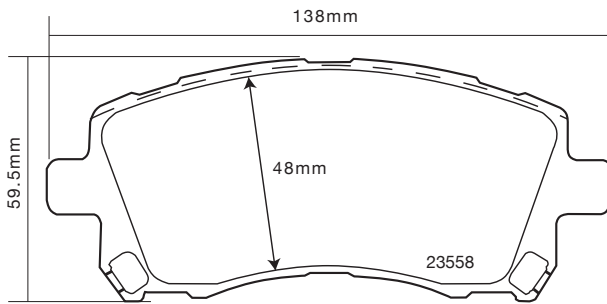


(mm)

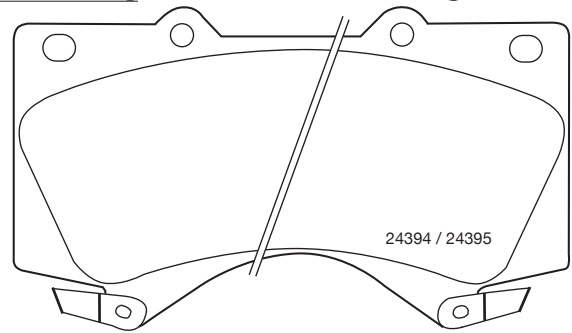
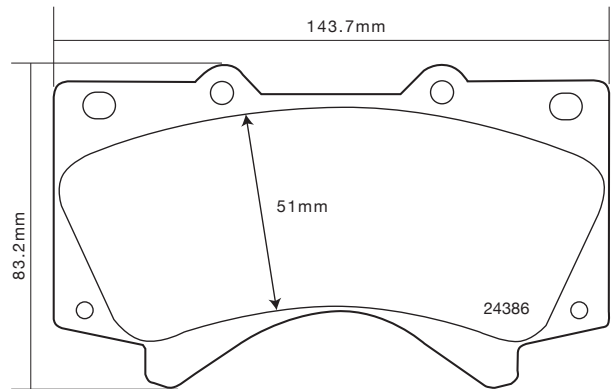


th (mm)

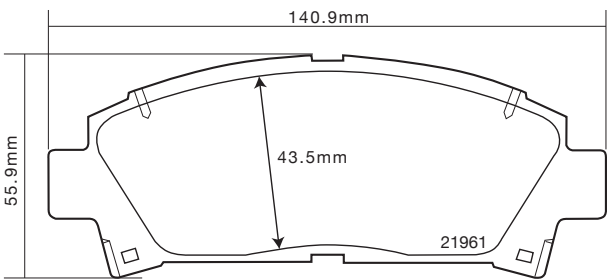
**07.B314.23 – 07.B314.26**



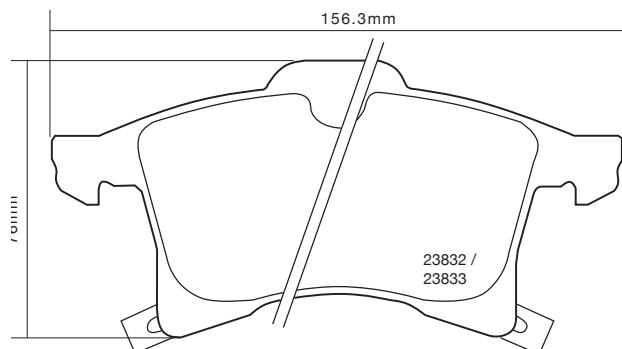
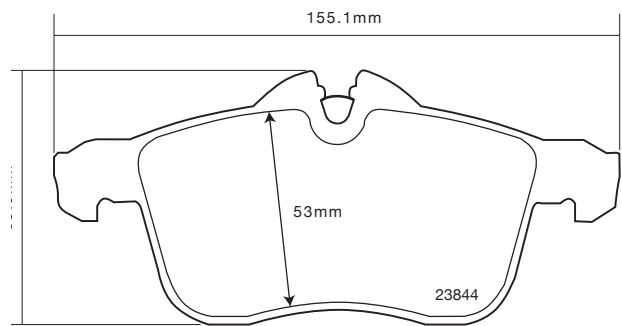
07.B314.23 th 17mm



07.B314.25 th 17.9mm



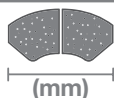
07.B314.24 th 15mm



07.B314.26 th 19.6mm



part number



(mm)

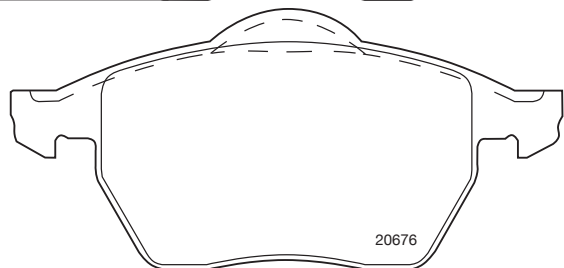
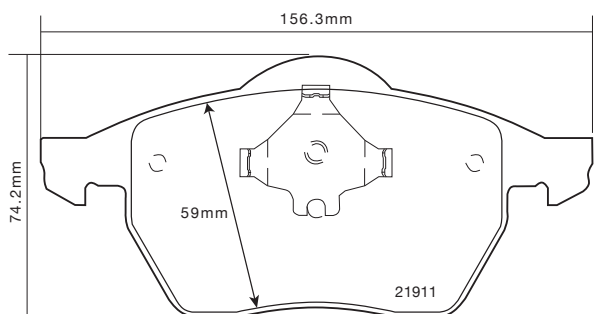


(mm)

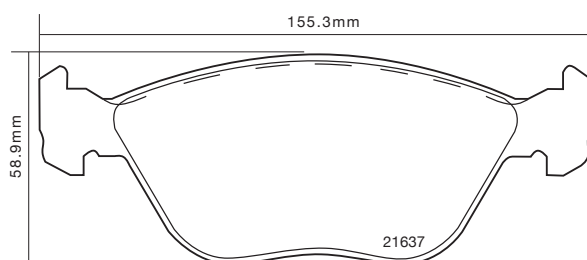
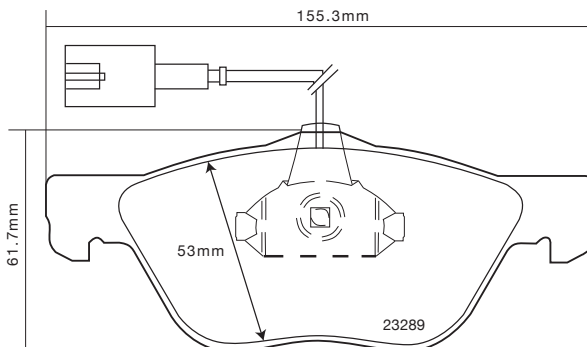


th (mm)

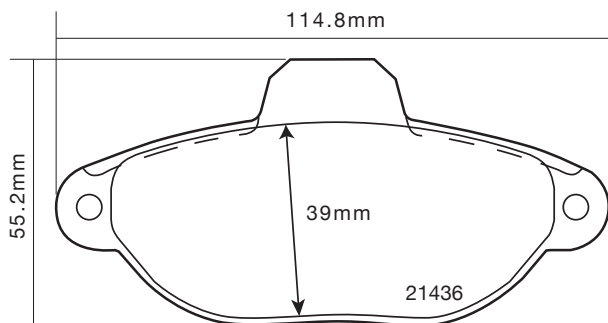
**07.B314.27 - 07.B314.31**



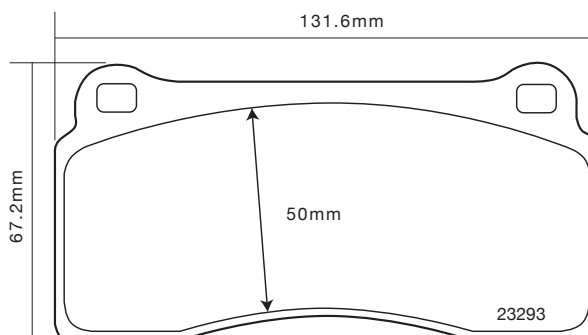
07.B314.27 th 19.3mm



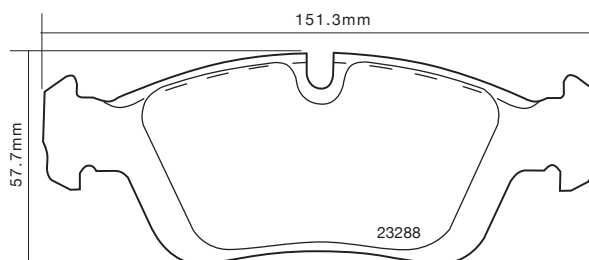
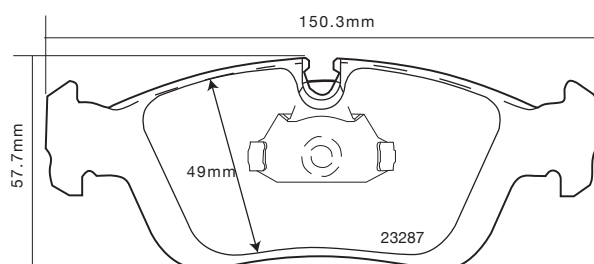
07.B314.29 th 18mm



07.B314.28 th 17mm



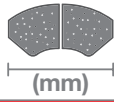
07.B314.30 th 18mm



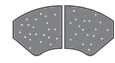
07.B314.31 th 17.3mm



part number



(mm)

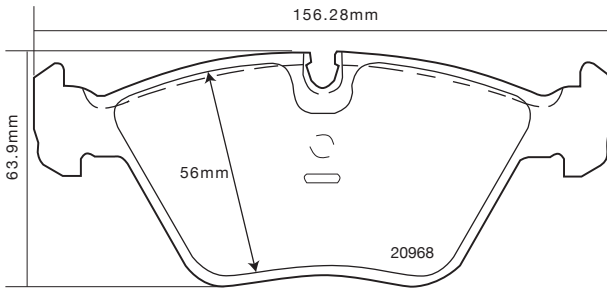


(mm)

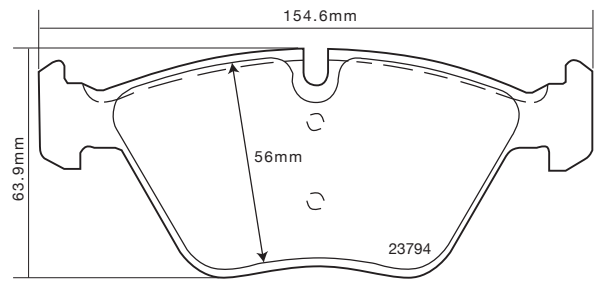
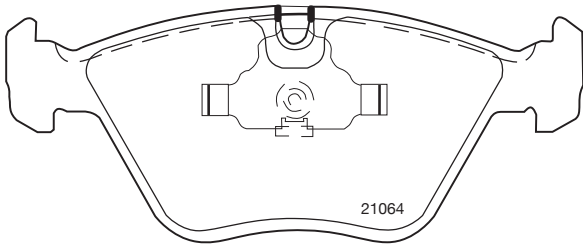


th (mm)

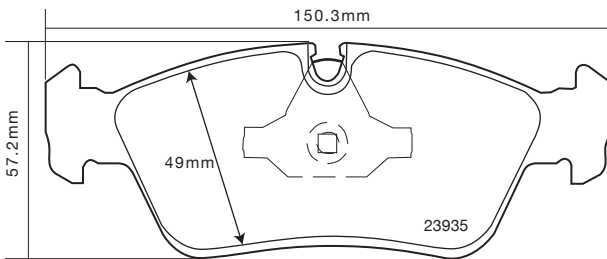
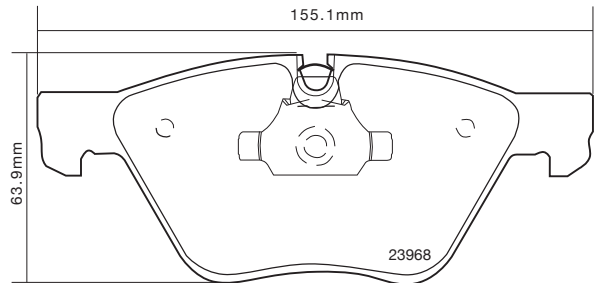
**07.B314.32 – 07.B314.36**



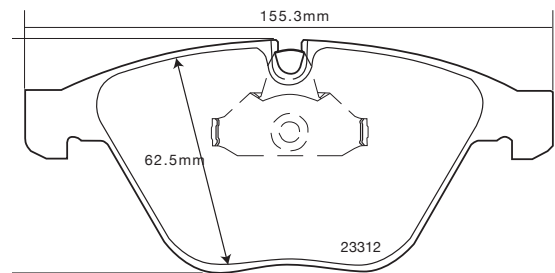
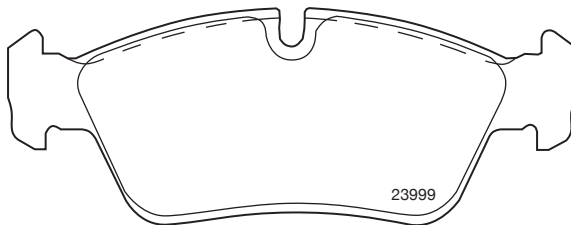
07.B314.32 th 20.3mm



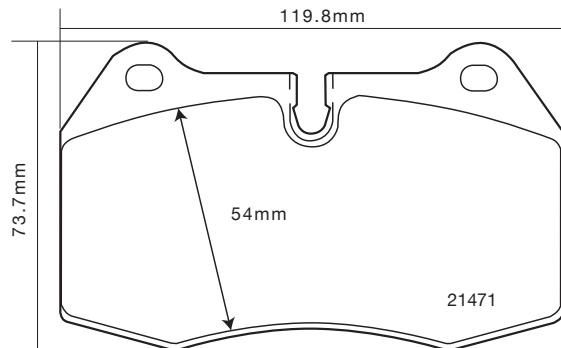
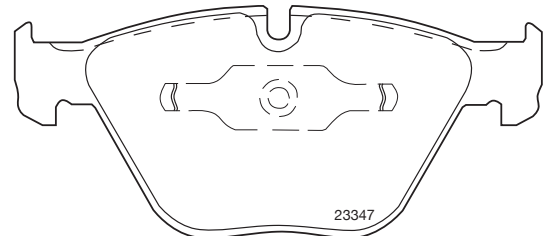
07.B314.34 th 19,8mm



07.B314.33 th 17.6mm



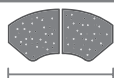
07.B314.35 th 20.3mm



07.B314.36 th 18mm



part number



(mm)

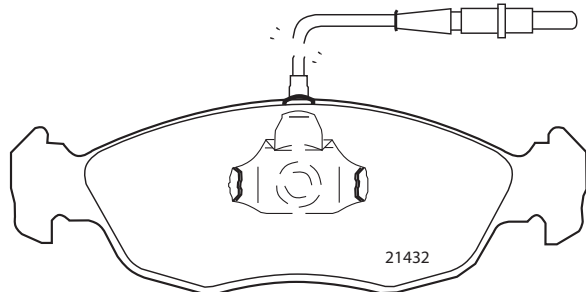
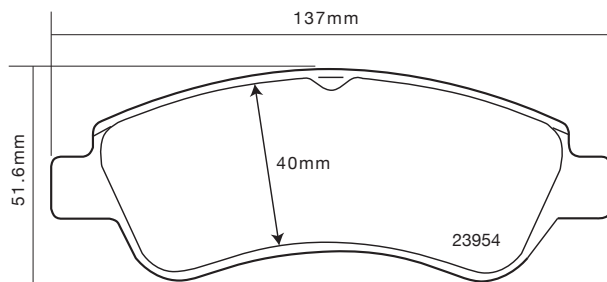
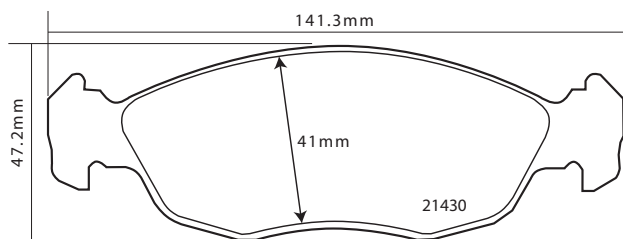


(mm)



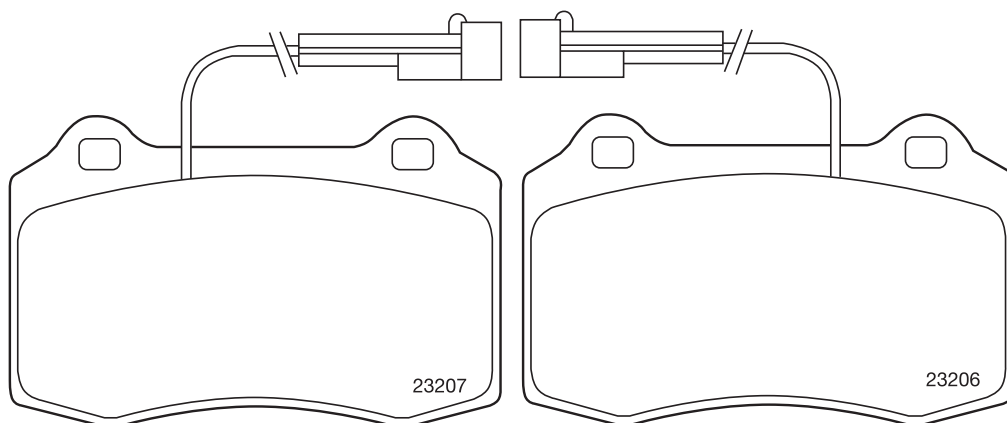
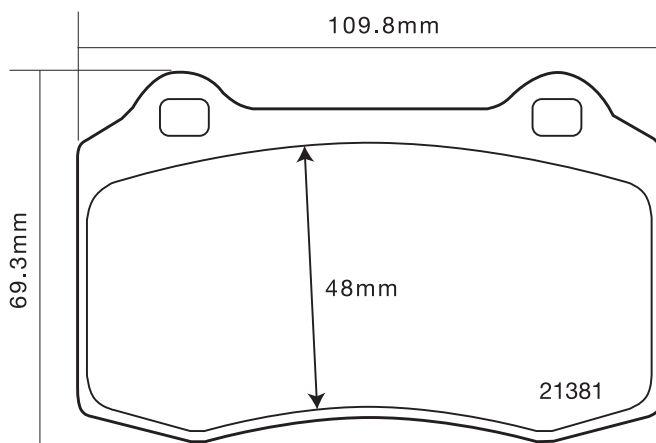
th (mm)

**07.B314.37 - 07.B314.39**



07.B314.37 th 17mm

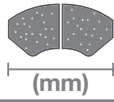
07.B314.38 th 19mm



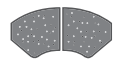
07.B314.39 th 16.8mm



part number



(mm)

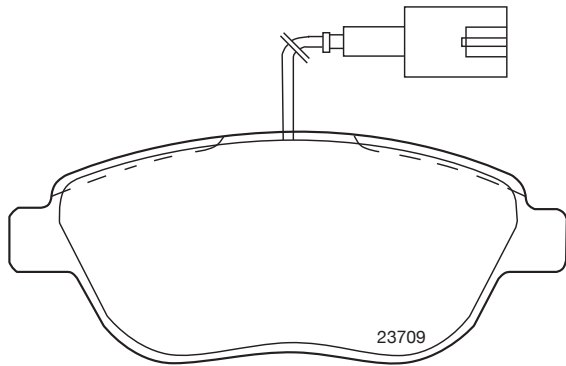
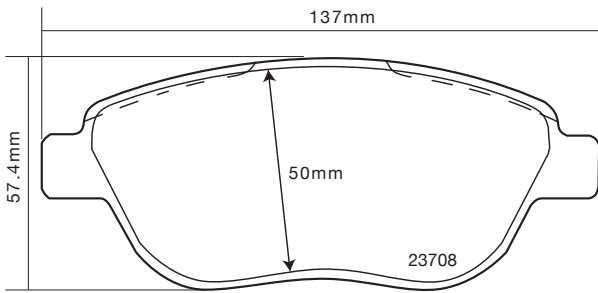


(mm)

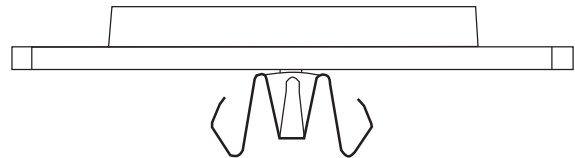
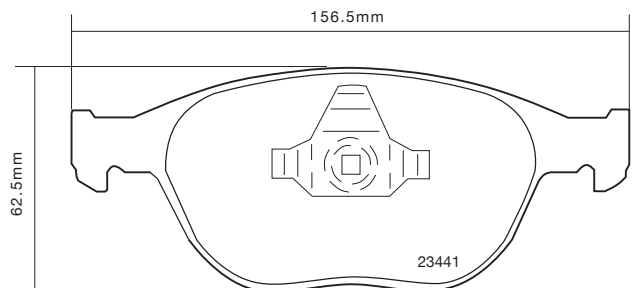
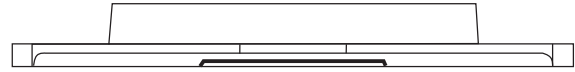
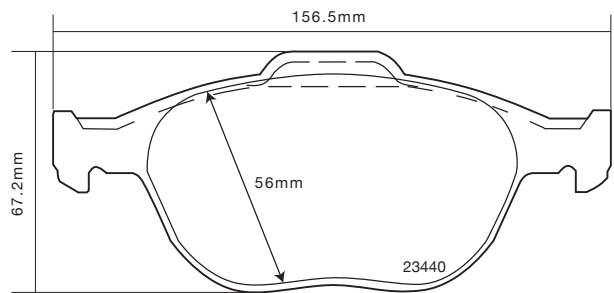


th (mm)

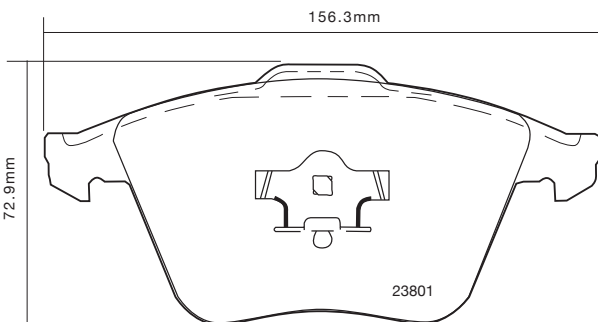
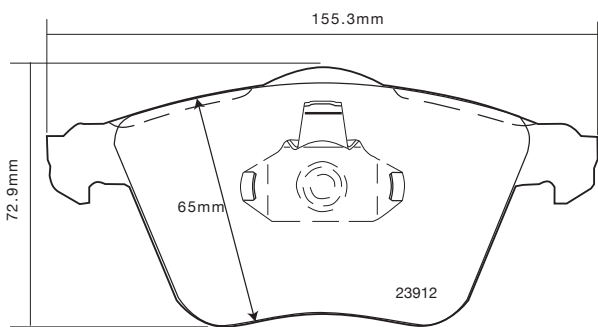
**07.B314.40 – 07.B314.43**



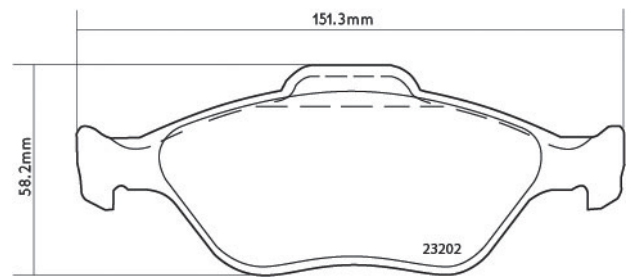
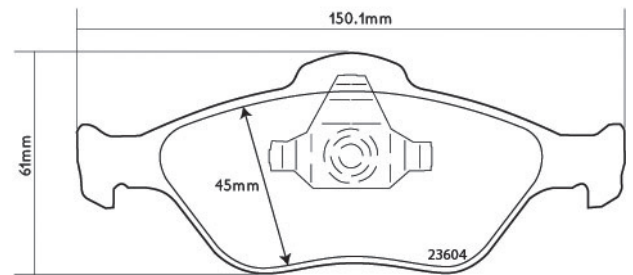
07.B314.40 th 18.4mm



07.B314.42 th 17.5mm



07.B314.41 th 18.5mm

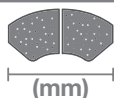


07.B314.43 th 18mm





part number



(mm)

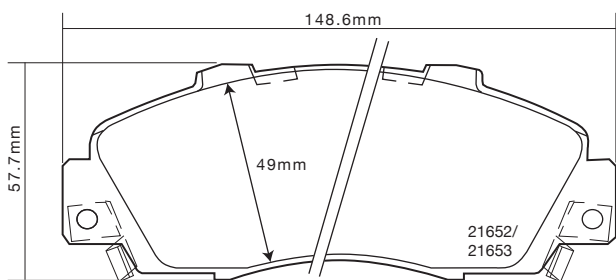


(mm)

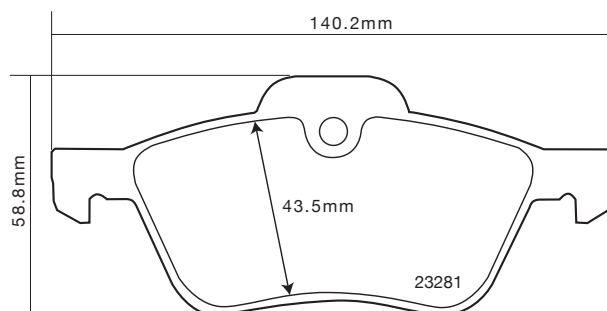
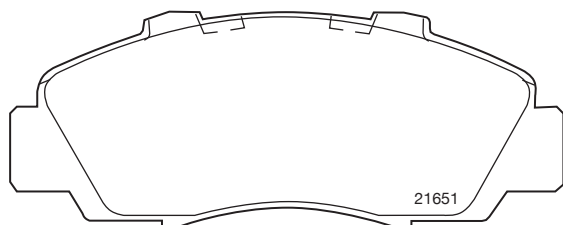


th (mm)

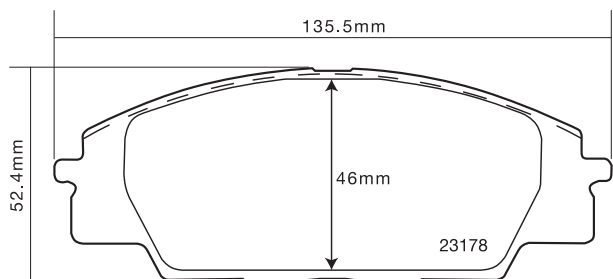
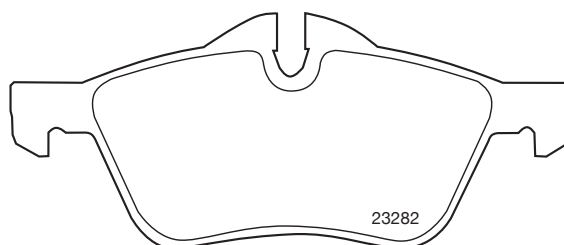
**07.B314.44 – 07.B314.48**



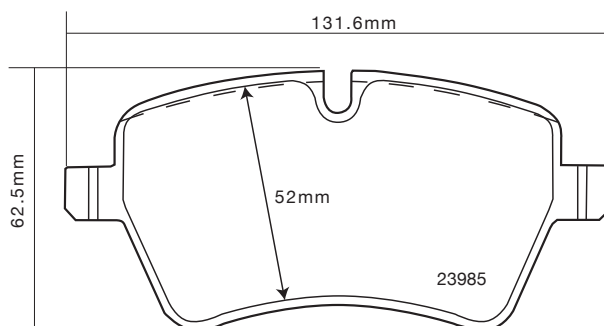
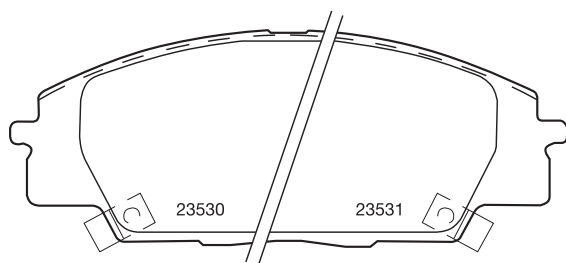
07.B314.44 th 18mm



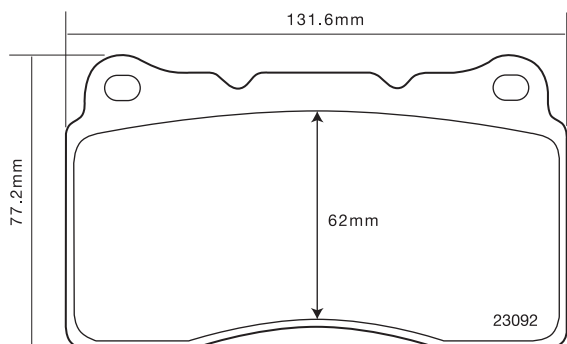
07.B314.46 th 18mm



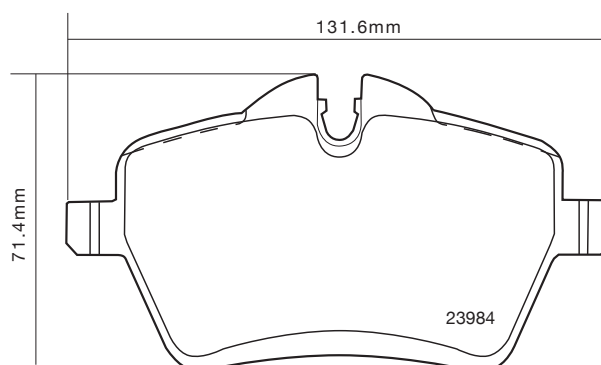
07.B314.45 th 16mm



07.B314.47 th 17.6mm

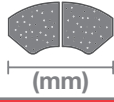


07.B314.48 th 16mm





part number



(mm)

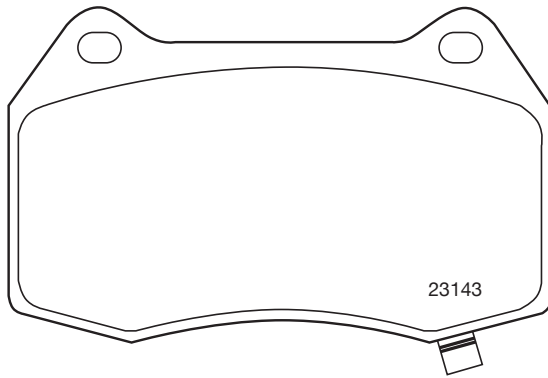
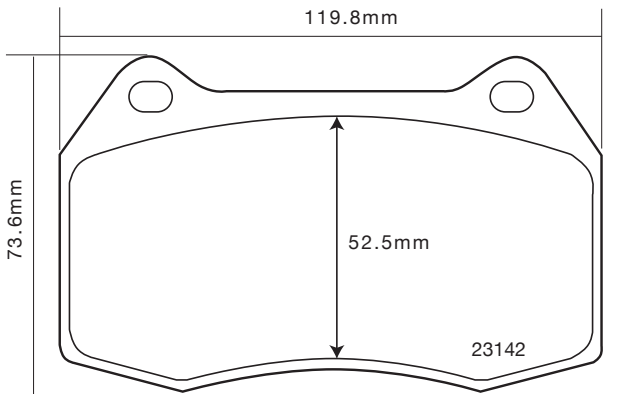


(mm)

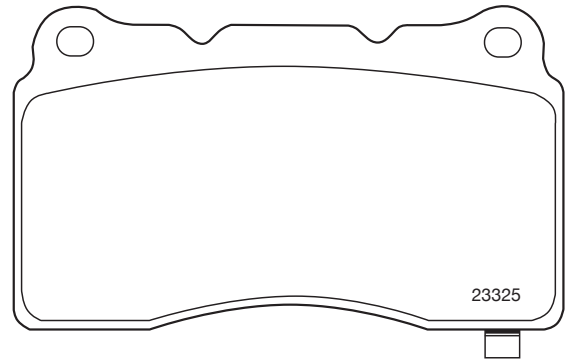
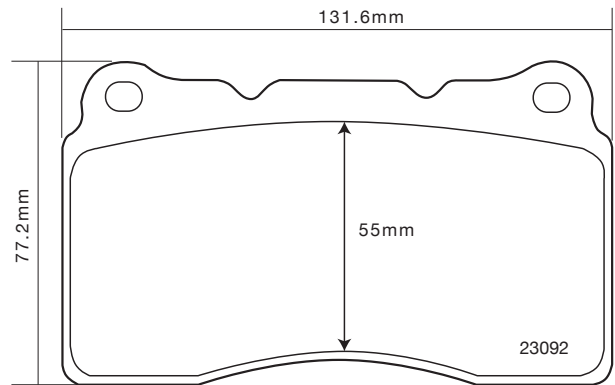


th (mm)

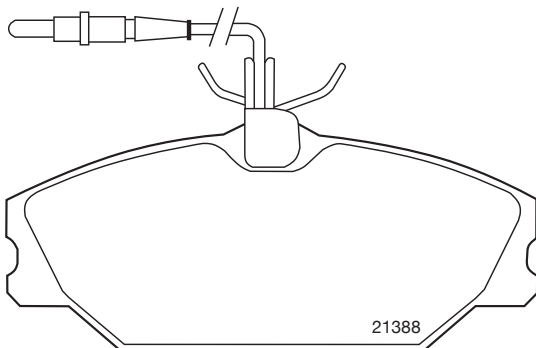
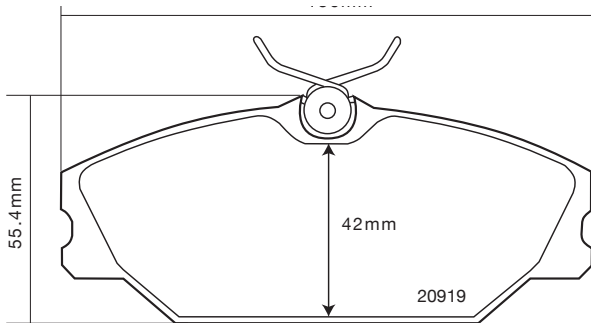
**07.B314.49 – 07.B314.51**



07.B314.49 th 15mm



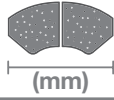
07.B314.51 th 14.7mm



07.B314.50 th 18mm



part number



(mm)

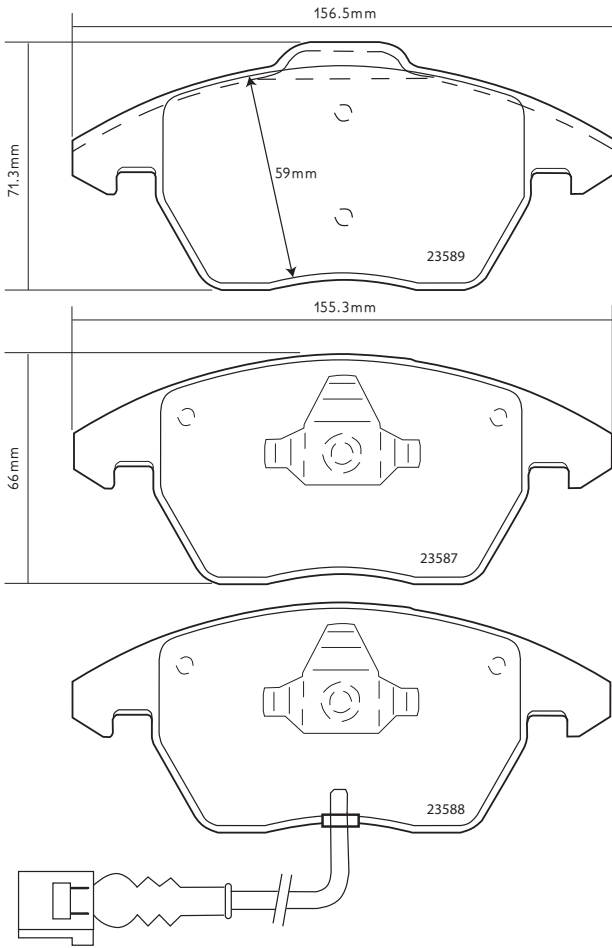


(mm)

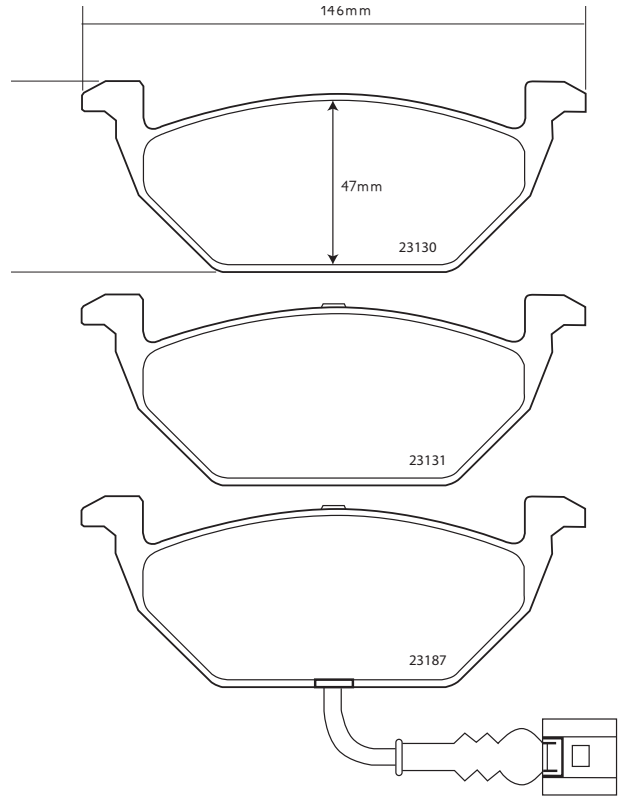


th (mm)

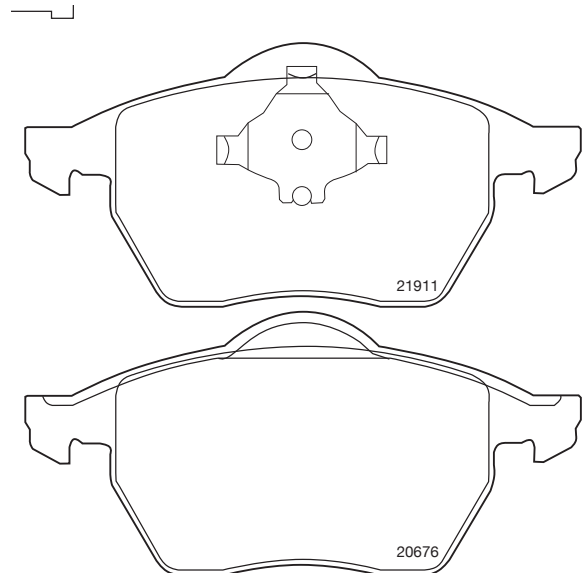
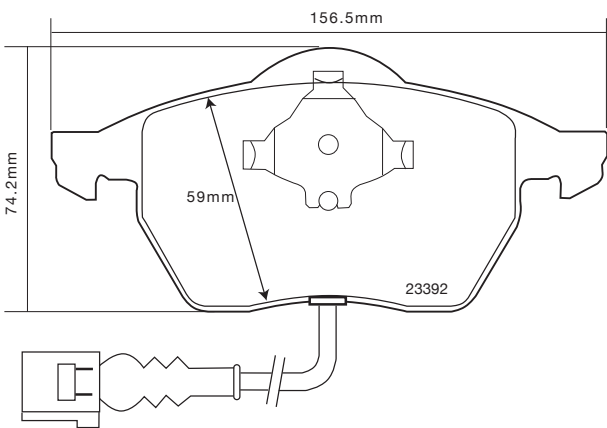
**07.B314.52 – 07.B314.54**



07.B314.52 th 20.3mm



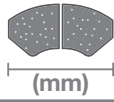
07.B314.53 th 19.7mm



07.B314.54 th 19.5mm



part number



(mm)

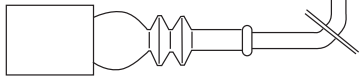
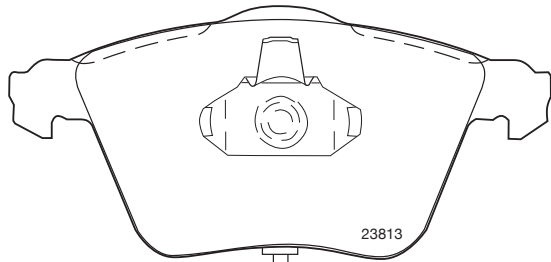
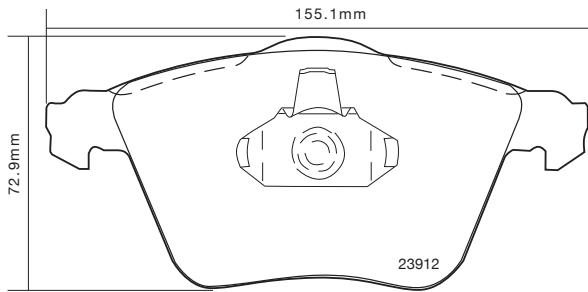
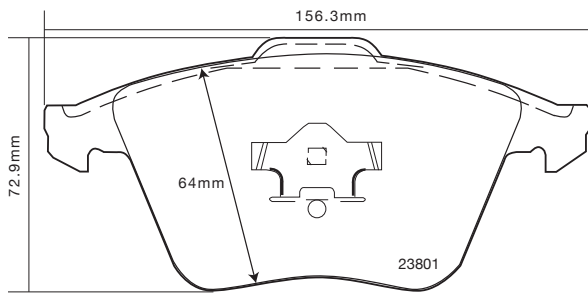


(mm)

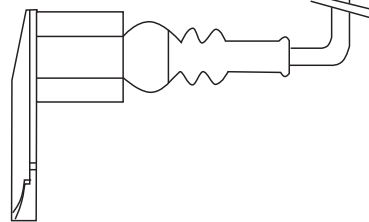
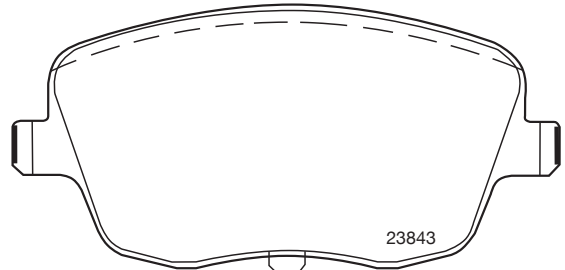
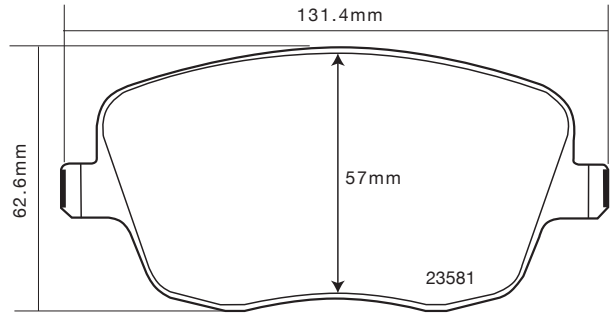


th (mm)

**07.B314.55 – 07.B314.56**



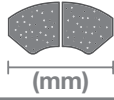
07.B314.55 th 20.4mm



07.B314.56 th 19mm



part number



(mm)

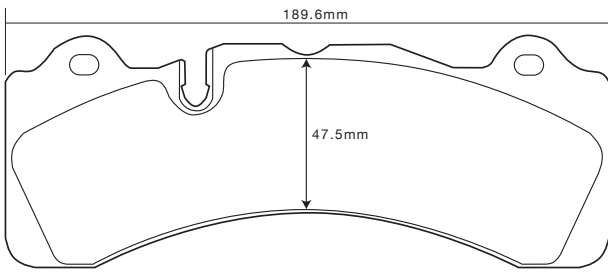


(mm)

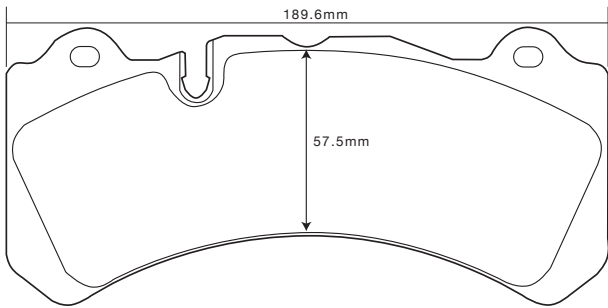


th (mm)

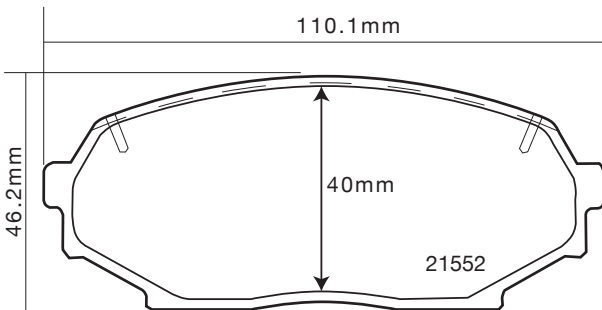
**07.B314.58 – 07.B314.62**



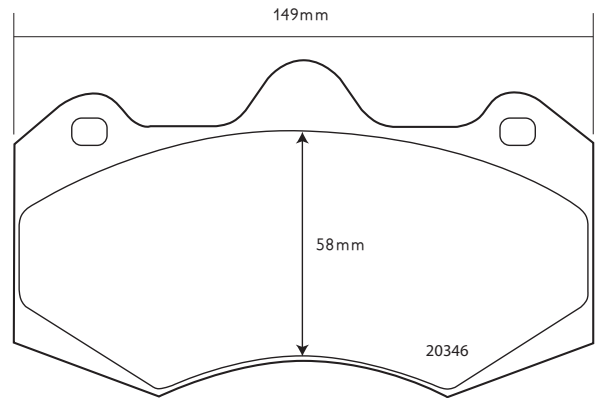
07.B314.58 th 16.8mm



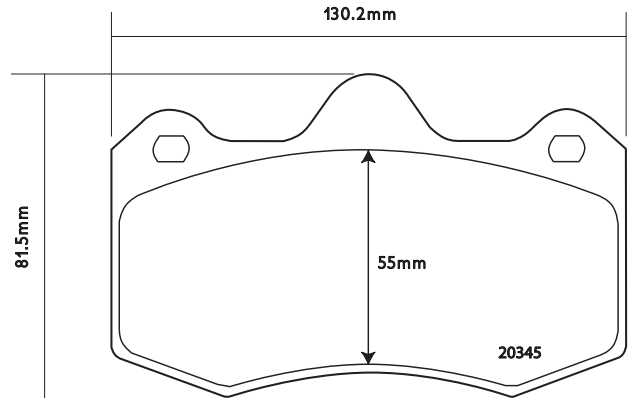
07.B314.59 th 16.8mm



07.B314.60 th 14.4mm



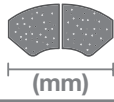
07.B314.61 th 17mm



07.B314.62 th 17mm



part number



(mm)

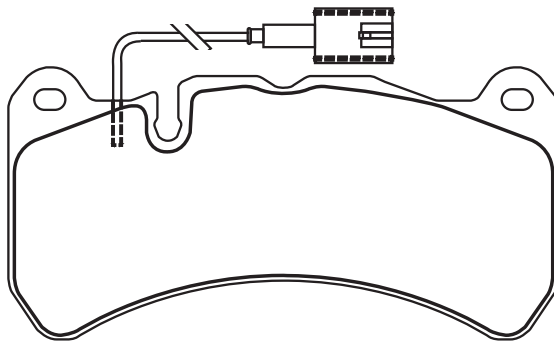
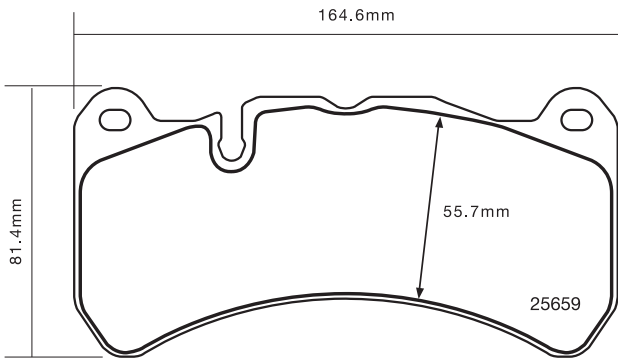


(mm)

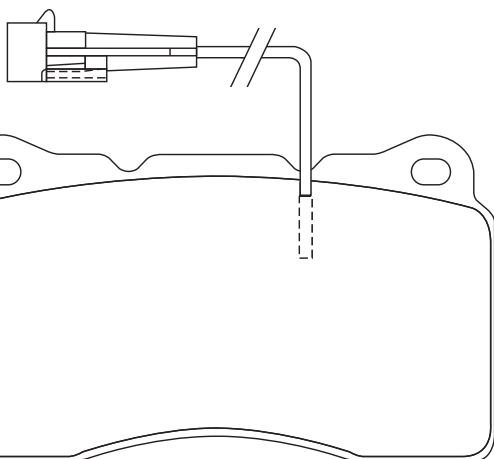
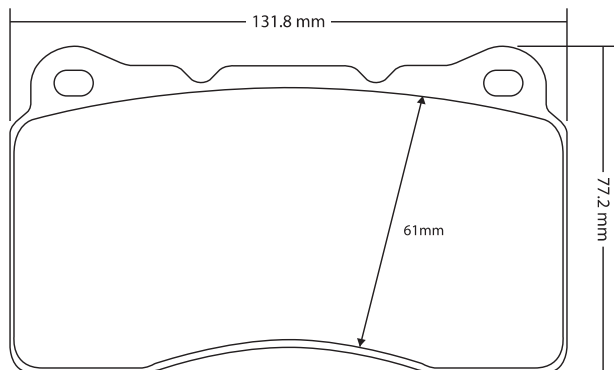


th (mm)

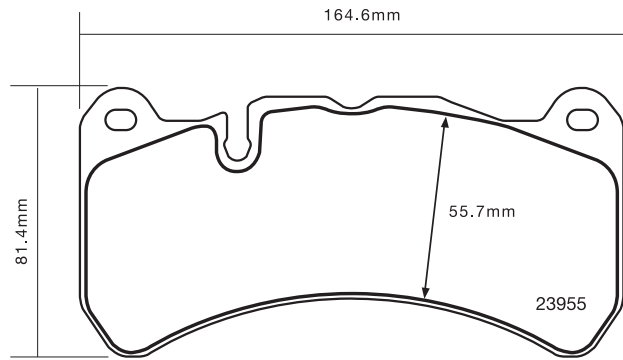
**07.B314.63 – 07.B314.67**



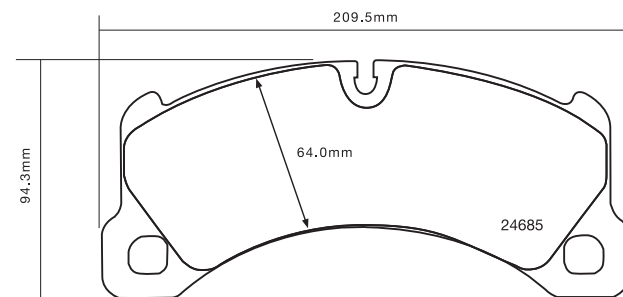
07.B314.63 th 16mm



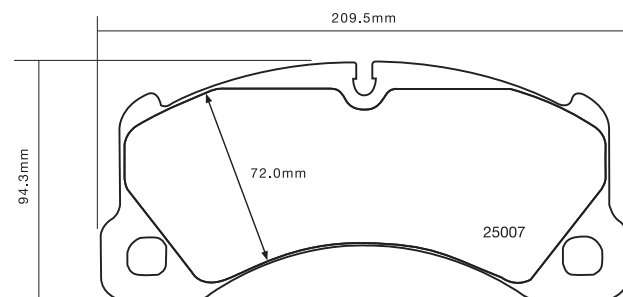
07.B314.64 th 15.8mm



07.B314.65 th 16mm



07.B314.66 th 17.1mm

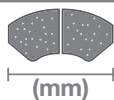


07.B314.67 th 17.1mm

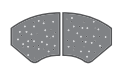




part number



(mm)

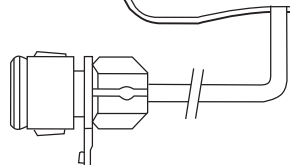
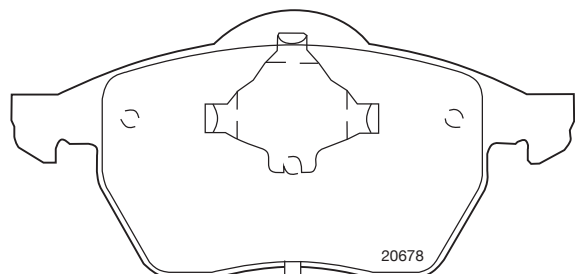
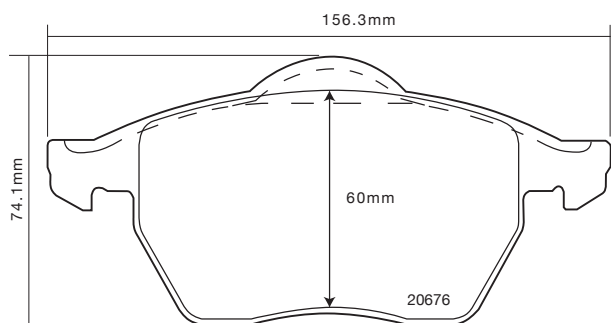


(mm)

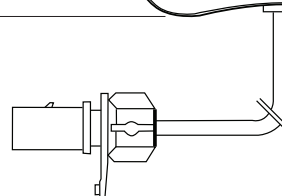
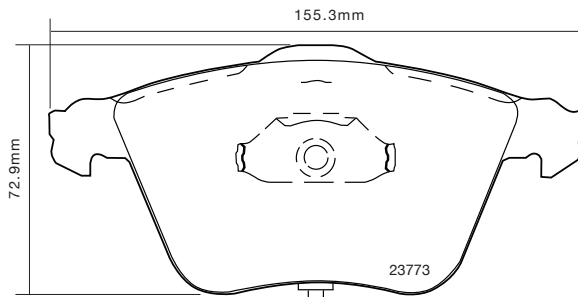
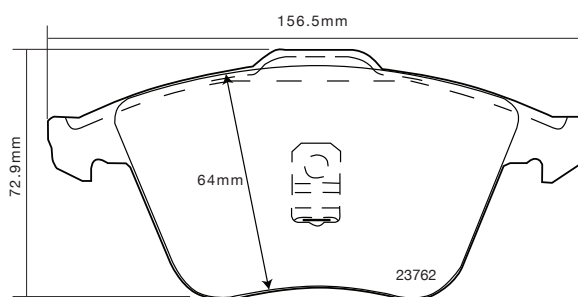


th (mm)

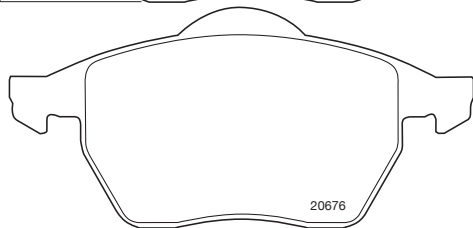
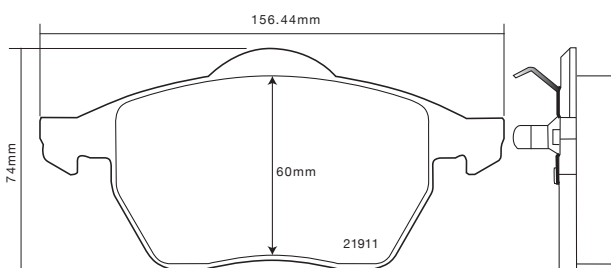
**07.B314.69 – 07.B314.73**



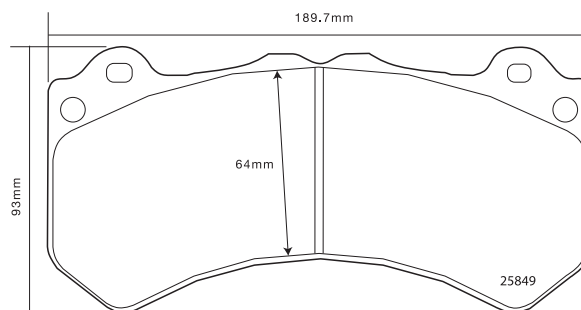
07.B314.69 th 19.5mm



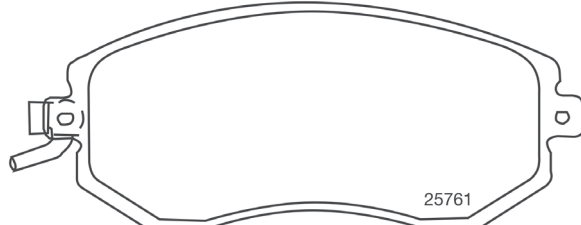
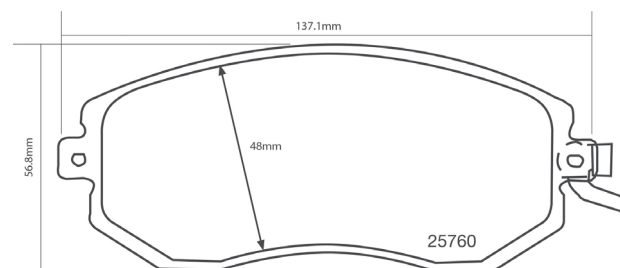
07.B314.71 th 20.4mm



07.B314.70 th 20.6mm



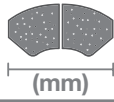
07.B314.72 th 17.4mm



07.B314.73 th 16.7mm



part number



(mm)

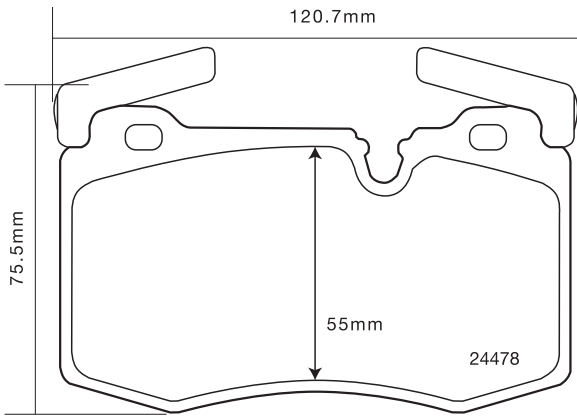


(mm)

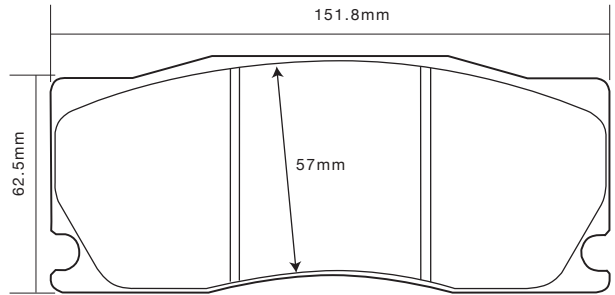


th (mm)

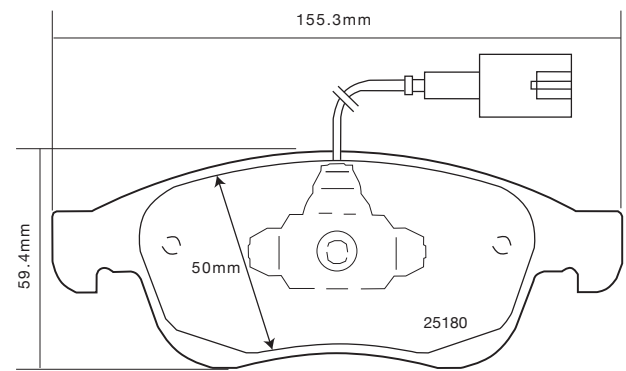
**07.B314.74 – 07.B314.79**



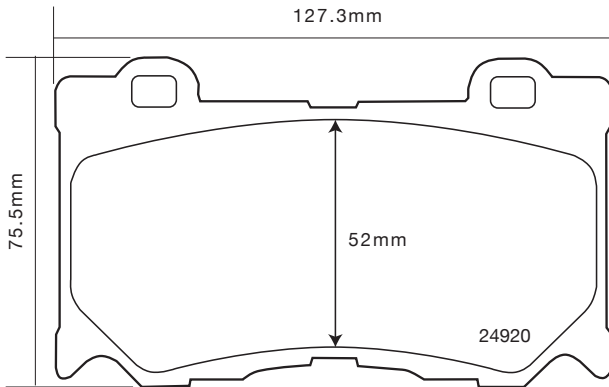
07.B314.74 th 14.8mm



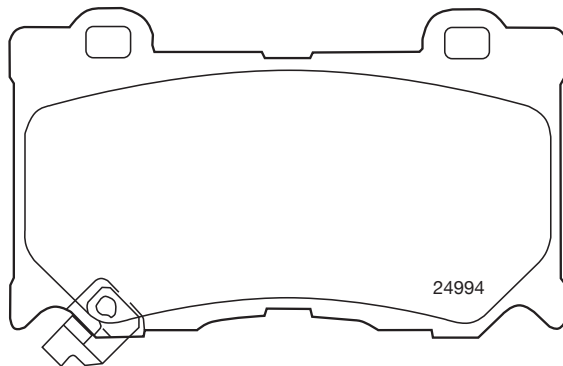
07.B314.77 th 16mm



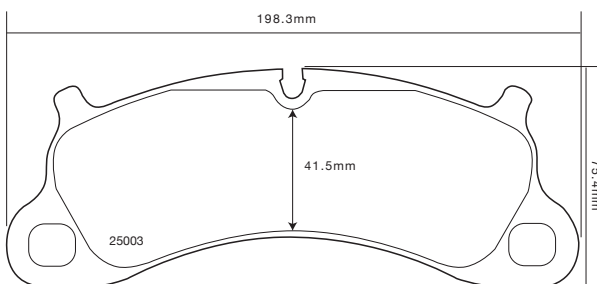
07.B314.79 th 18.5mm



07.B314.75 th 15.6mm

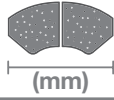


07.B314.76 th 17.3mm

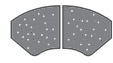




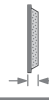
part number



(mm)

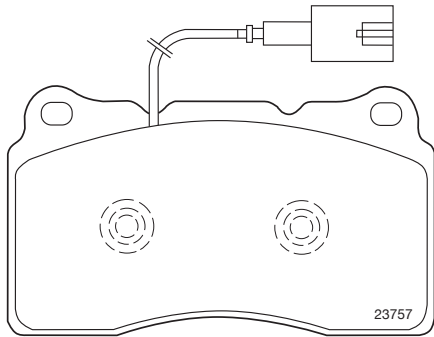
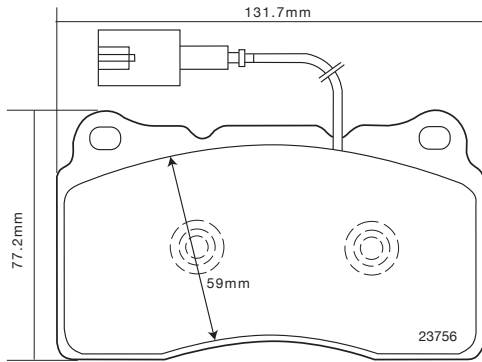


(mm)

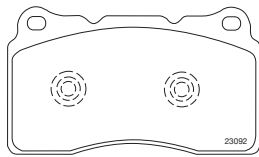
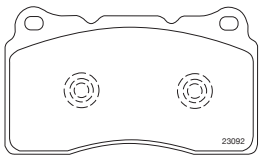


th (mm)

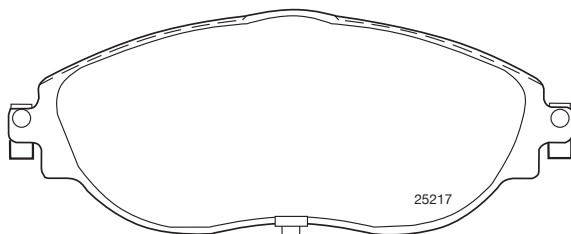
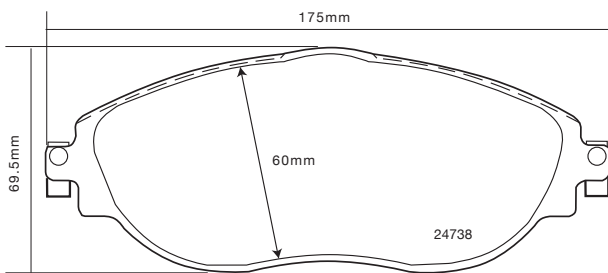
**07.B314.80 – 07.B314.84**



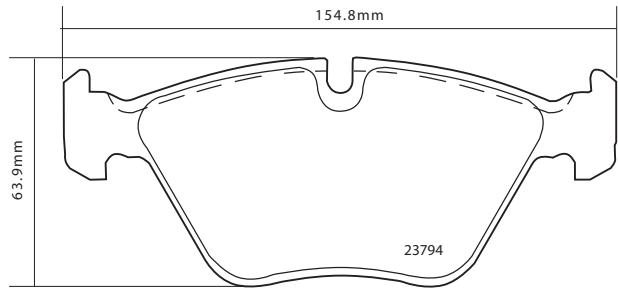
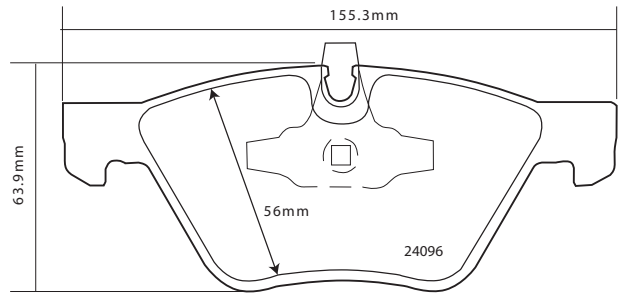
SAME DIMENSIONS AS ABOVE PADS



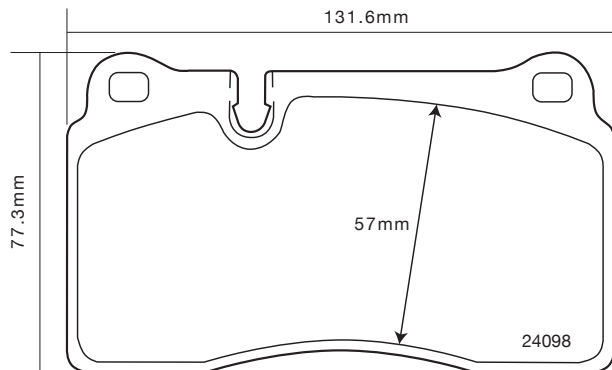
**07.B314.80 th 15.7mm**



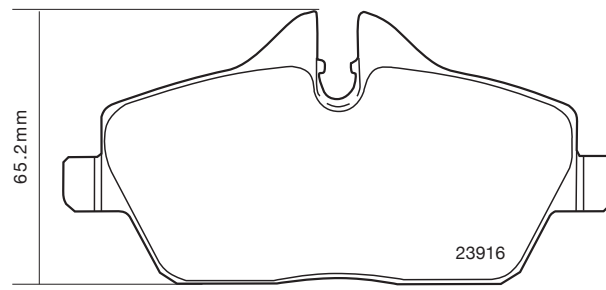
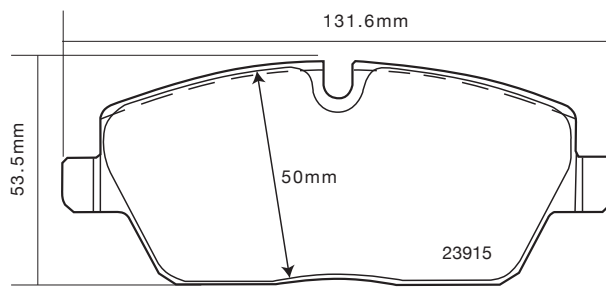
**07.B314.81 th 20mm**



**07.B314.82 th 20.3mm**



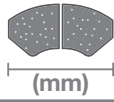
**07.B314.83 th 17.1mm**



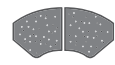
**07.B314.84 th 17.8mm**



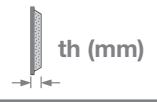
part number



(mm)

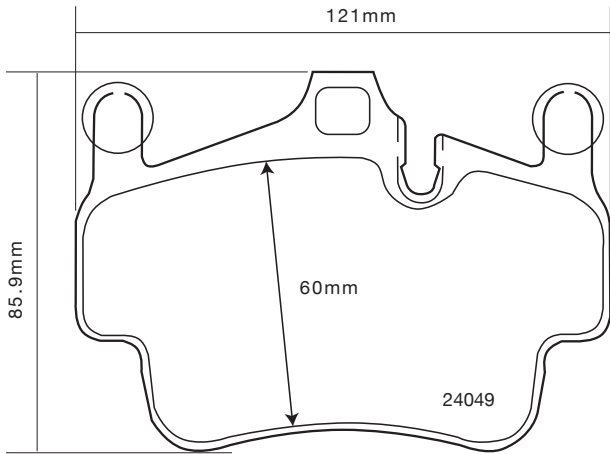


(mm)

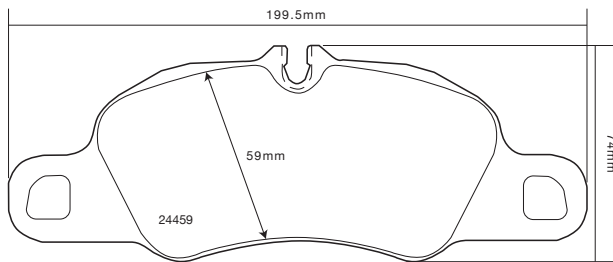


th (mm)

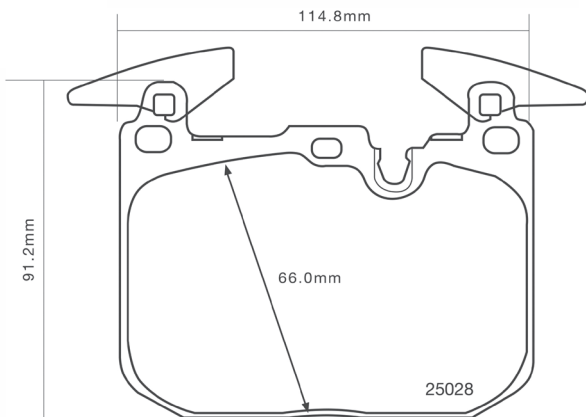
**07.B314.85 – 07.B314.94**



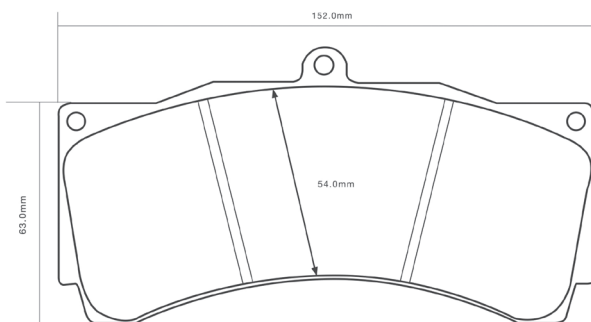
07.B314.85 th 17mm



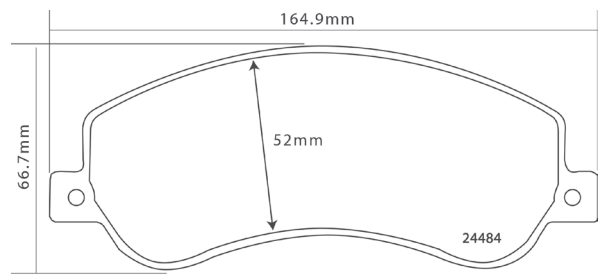
07.B314.86 th 18.5mm



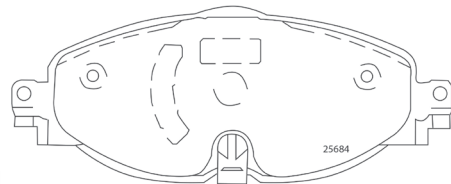
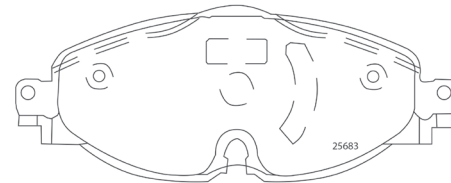
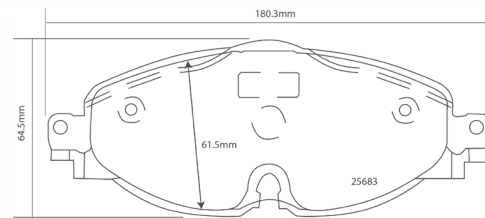
07.B314.90 th 17.7mm



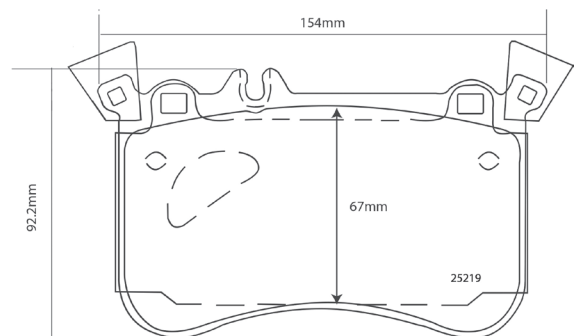
07.B314.91 th 18mm



07.B314.92 th 18.9mm



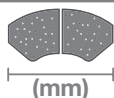
07.B314.93 th 18.9mm



07.B314.94 th 16.7mm



part number



(mm)

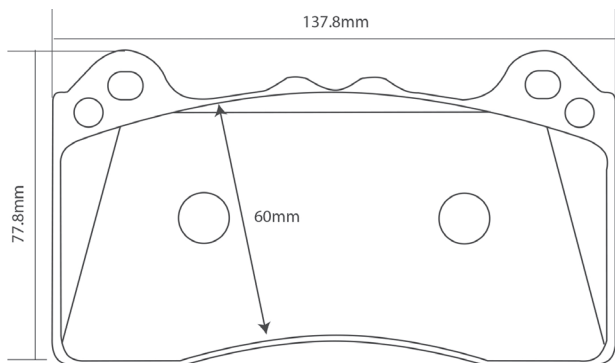


(mm)

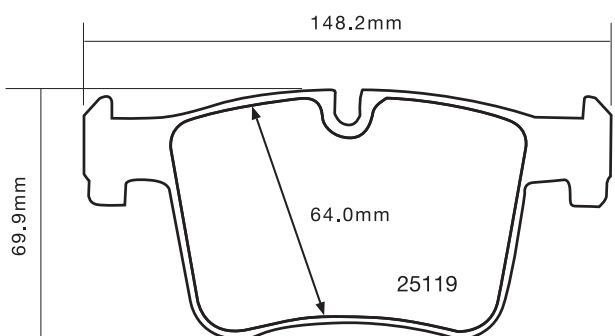


th (mm)

**07.B314.95 – 07.D435.04**

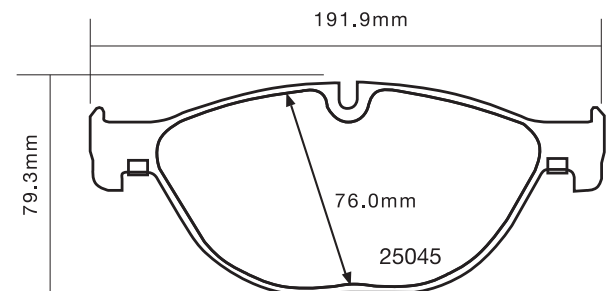
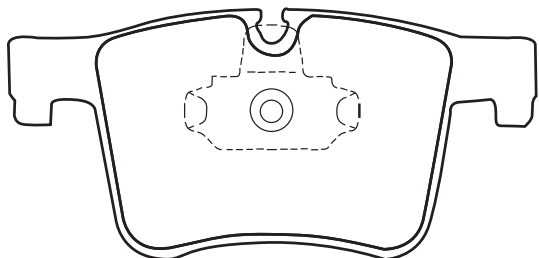


07.B314.95 th 14.8mm



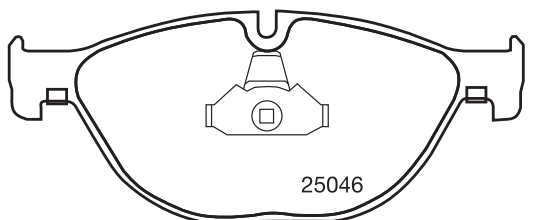
25119

07.B314.98 th 19.2mm

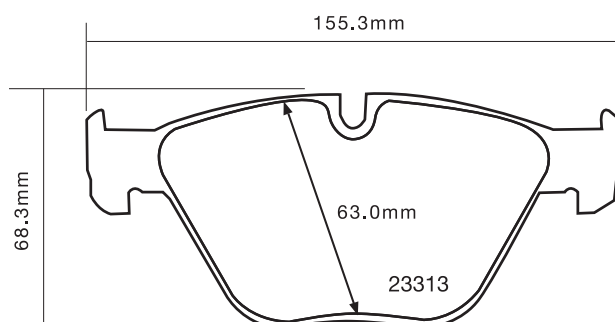


25045

07.D435.01 th 19.3mm

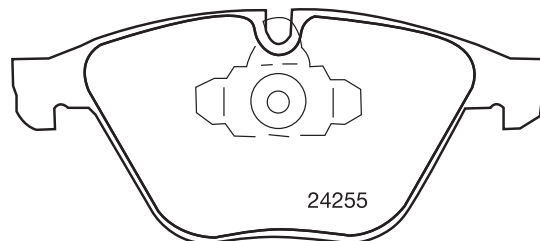


25046

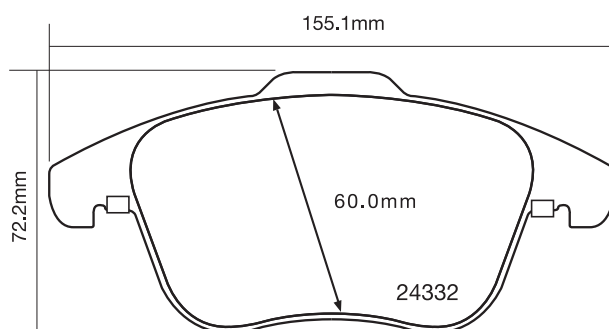


23313

07.B314.99 th 20.3mm

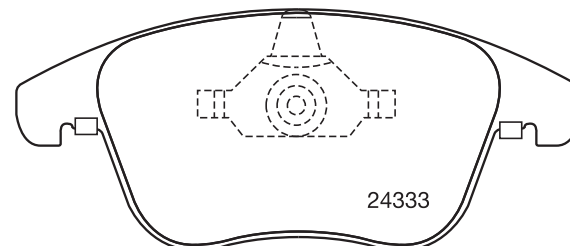


24255

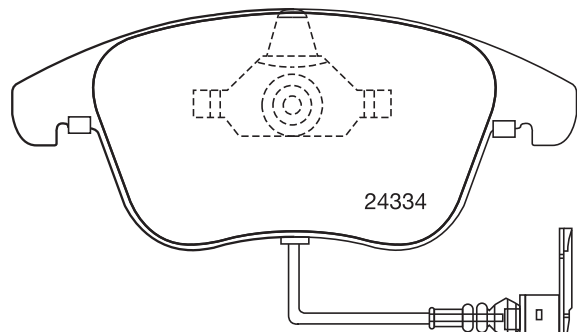


24332

07.D435.04 th 20.3mm



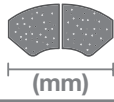
24333



24334



part number



(mm)

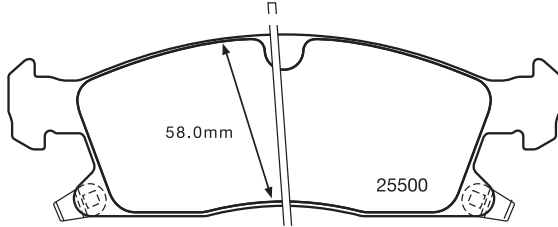
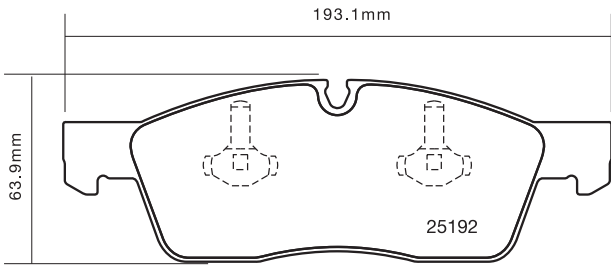


(mm)

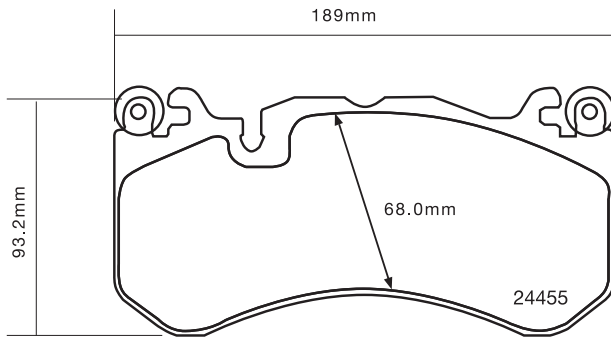


th (mm)

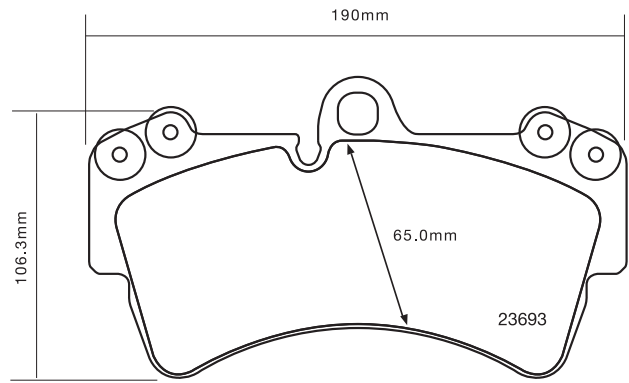
**07.D435.12 – 07.D435.36**



07.D435.12 th 19mm



07.D435.19 th 16.9mm

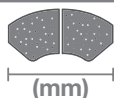


07.D435.36 th 16.7mm

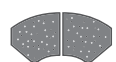




part number



(mm)

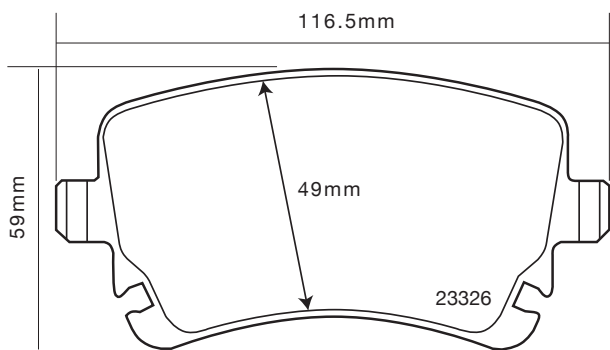


(mm)

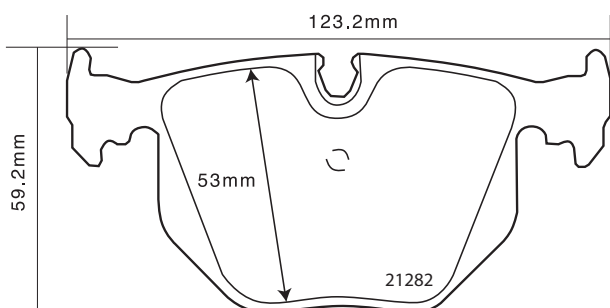


th (mm)

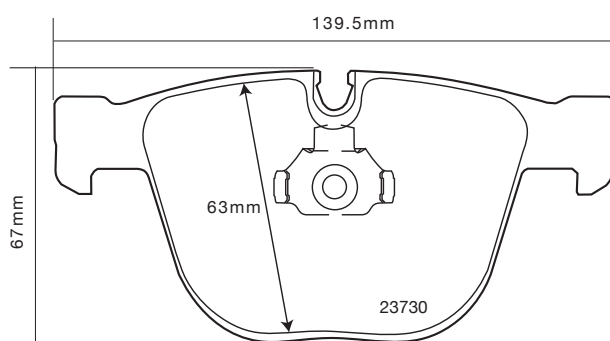
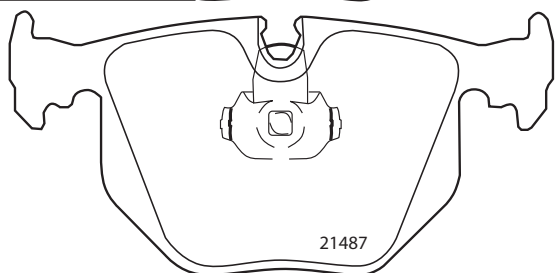
**07.B315.00 – 07.B315.04**



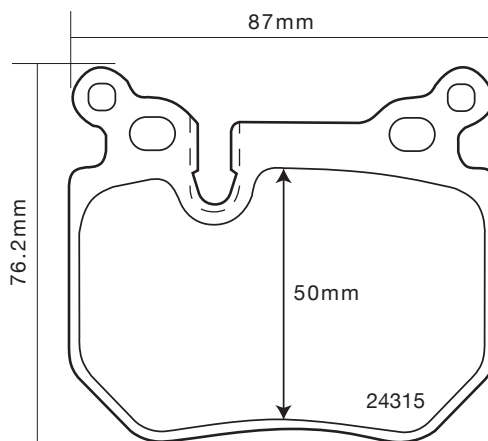
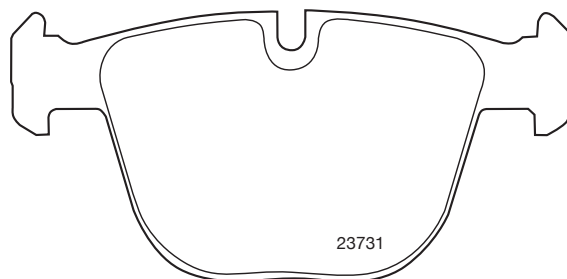
07.B315.00 th 17.2mm



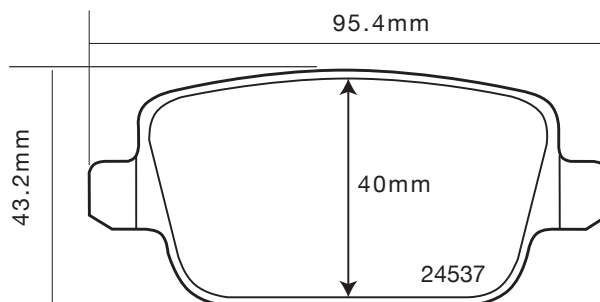
07.B315.01 th 17.3mm



07.B315.02 th 17mm



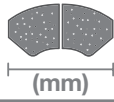
07.B315.03 th 17.1mm



07.B315.04 th 16mm



part number



(mm)

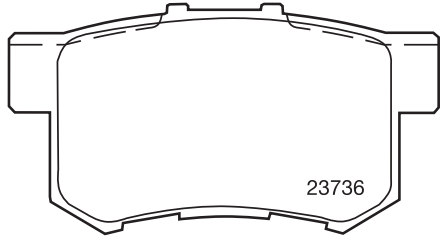
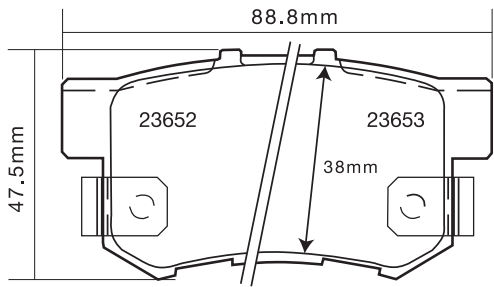


(mm)

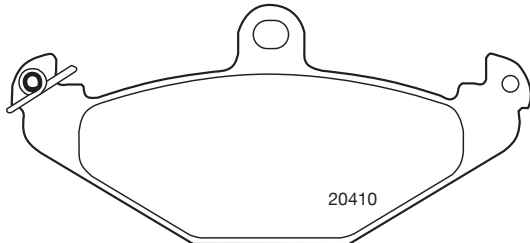
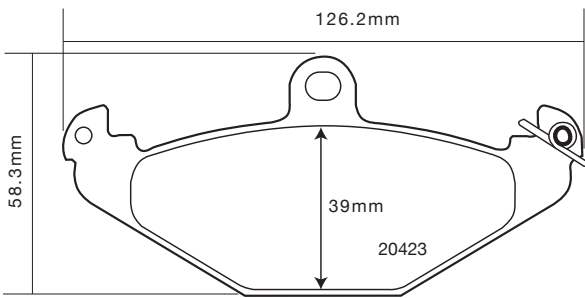


th (mm)

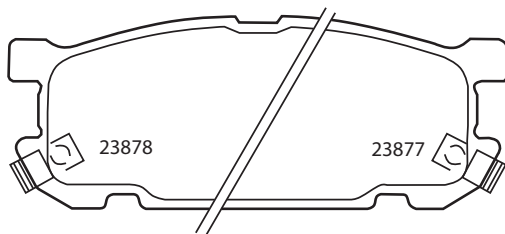
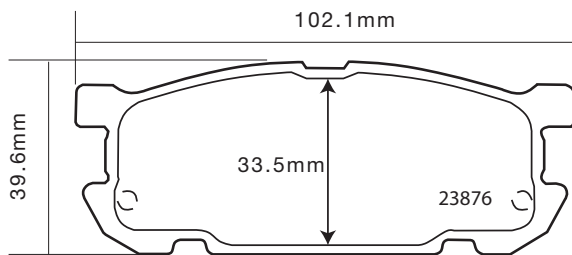
**07.B315.05 – 07.B315.09**



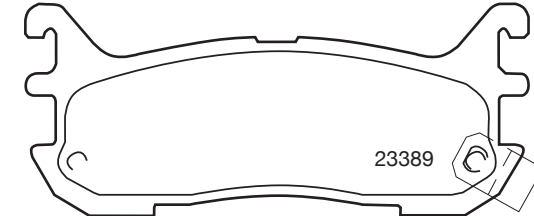
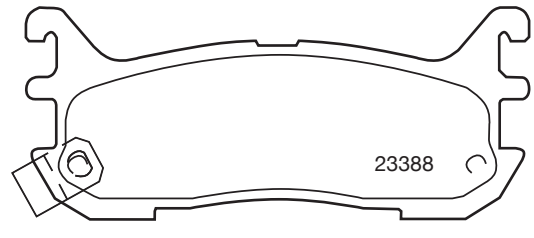
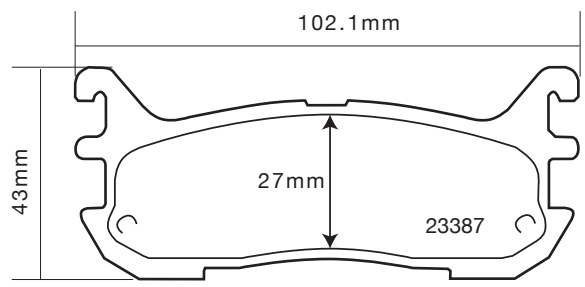
07.B315.05 th 14.8mm



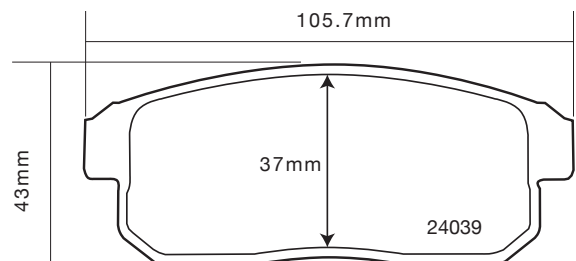
07.B315.06 th 13mm



07.B315.08 th 12mm



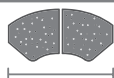
07.B315.07 th 13mm



07.B315.09 th 14.4mm



part number



(mm)

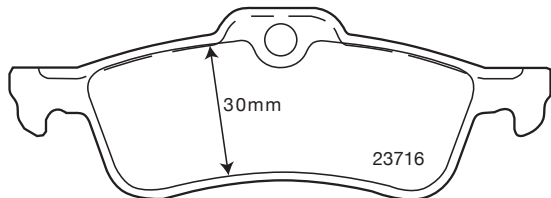
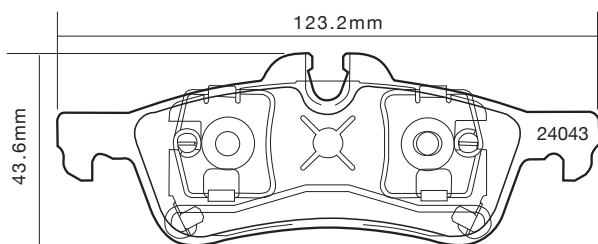


(mm)

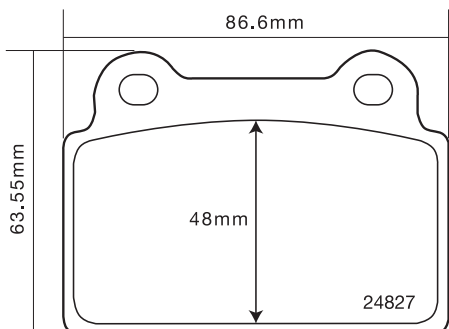


th (mm)

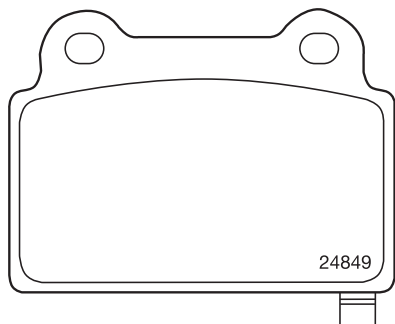
**07.B315.10 – 07.B315.14**



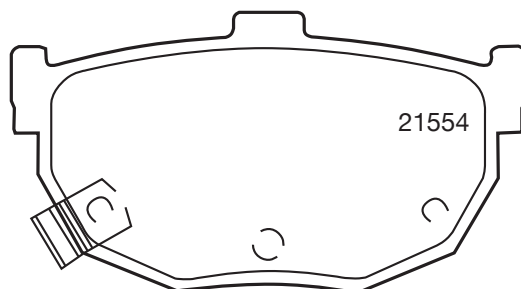
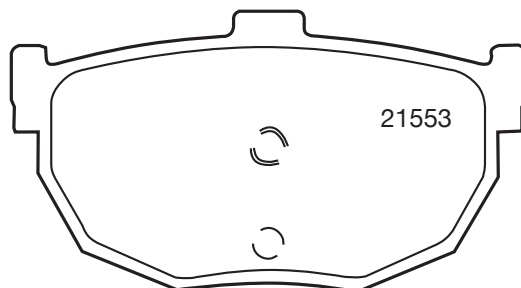
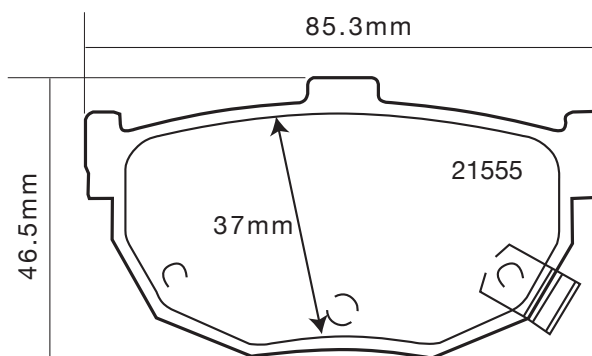
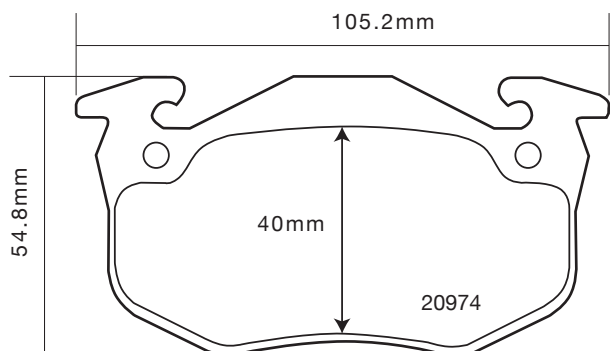
07.B315.10 th 16.3mm



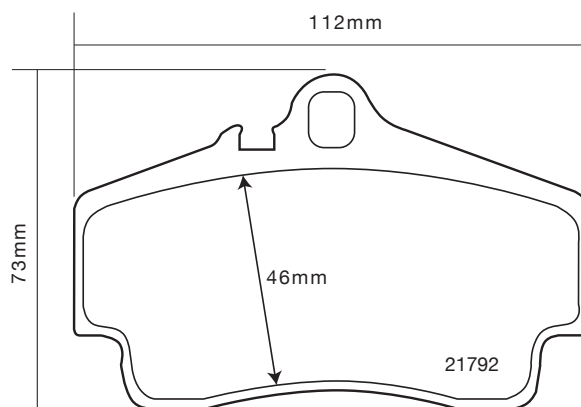
07.B315.11 th 14.1mm



07.B315.13 th 11mm



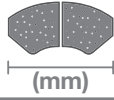
07.B315.12 th 14mm



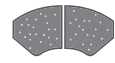
07.B315.14 th 15.5mm



part number



(mm)

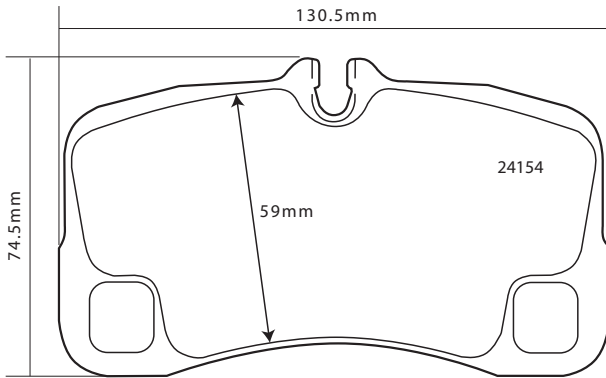


(mm)

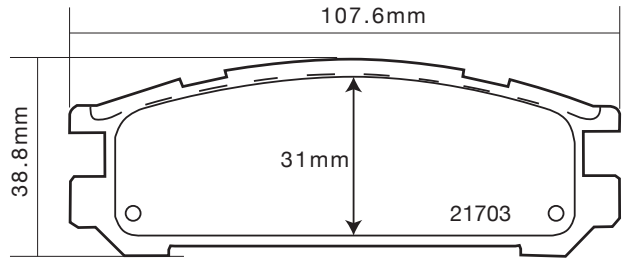


th (mm)

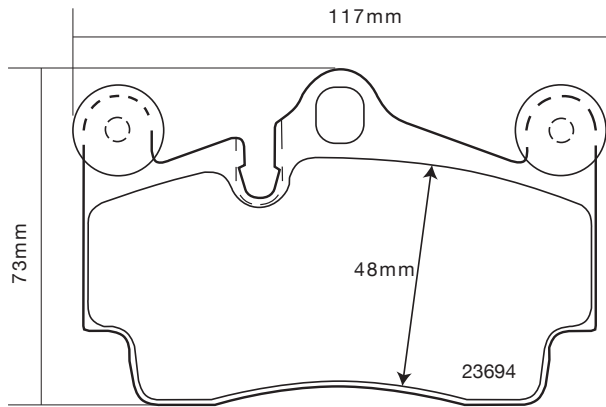
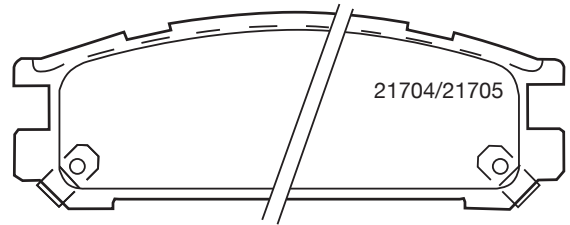
**07.B315.15 – 07.B315.20**



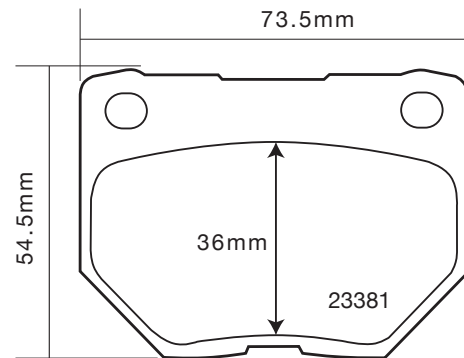
07.B315.15 th 17mm



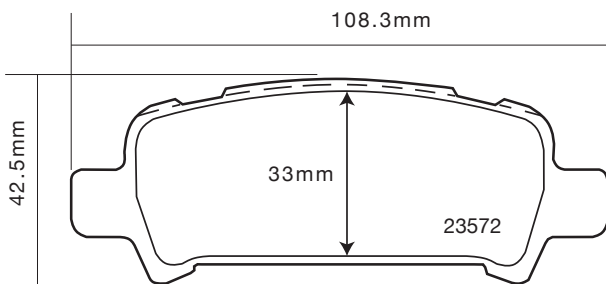
07.B315.18 th 14.8mm



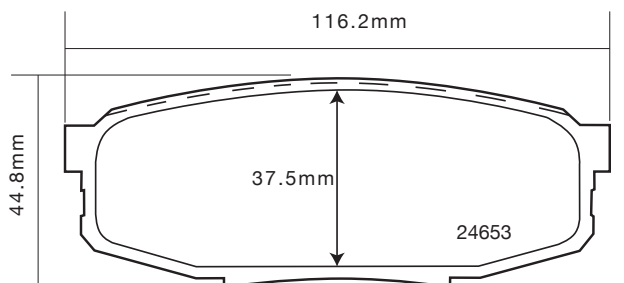
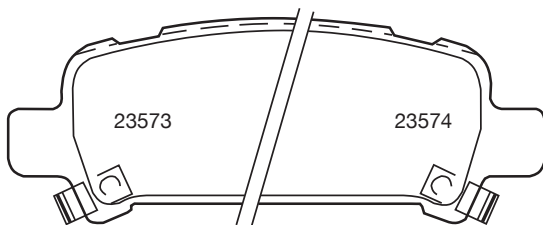
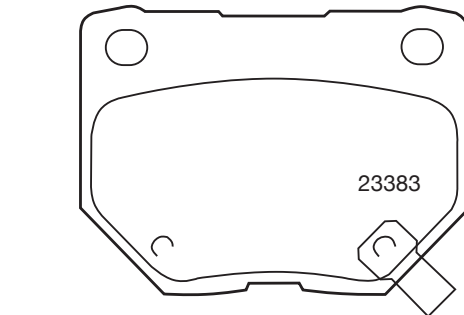
07.B315.16 th 16.7mm



07.B315.19 th 16mm



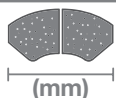
07.B315.17 th 14.5mm



07.B315.20 th 17.4mm



part number



(mm)

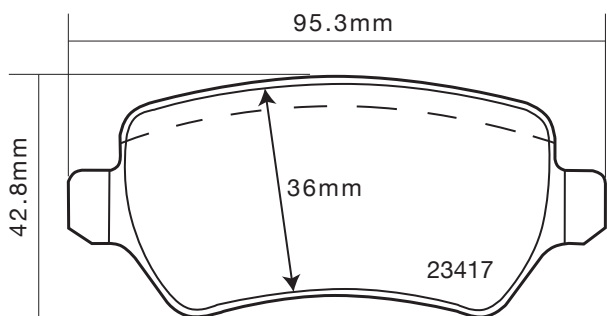


(mm)

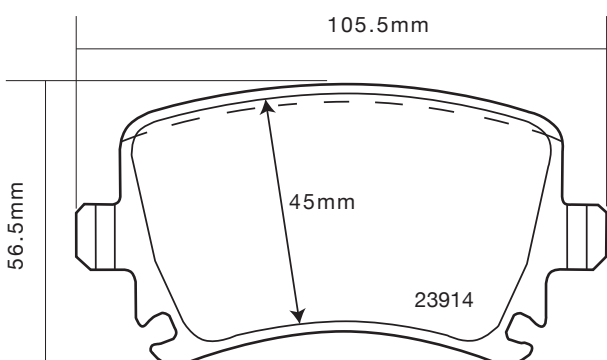


th (mm)

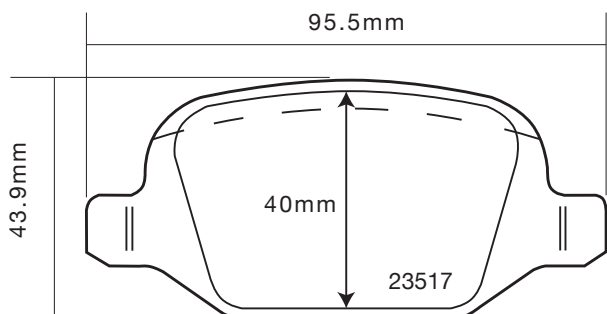
**07.B315.21 – 07.B315.27**



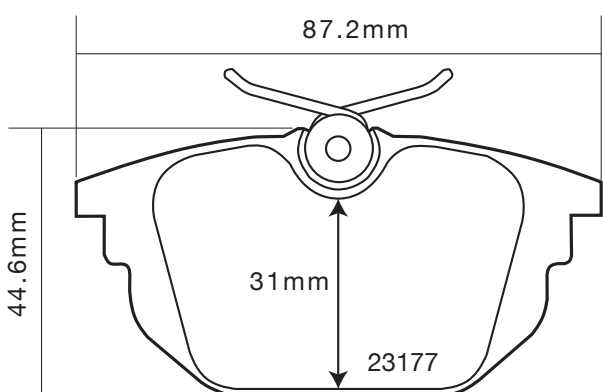
07.B315.21 th 15mm



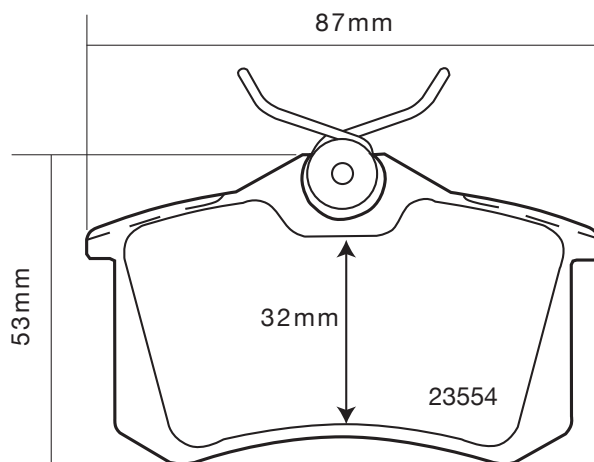
07.B315.22 th 17.2mm



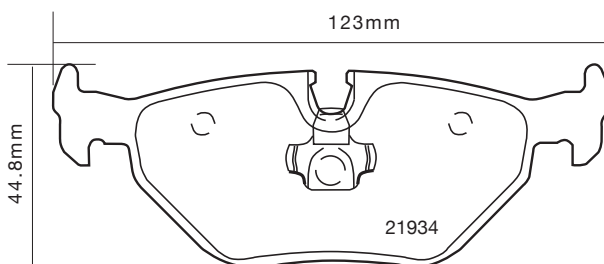
07.B315.23 th 13.7mm



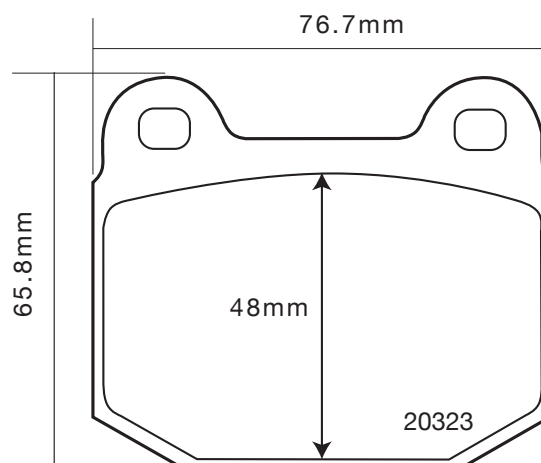
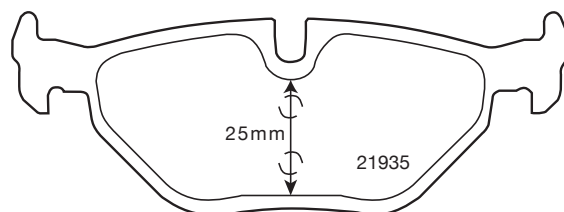
07.B315.24 th 14mm



07.B315.25 th 15mm



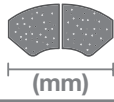
07.B315.26 th 17mm



07.B315.27 th 15mm



part number



(mm)

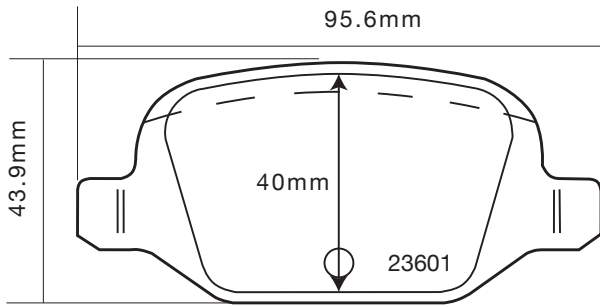


(mm)

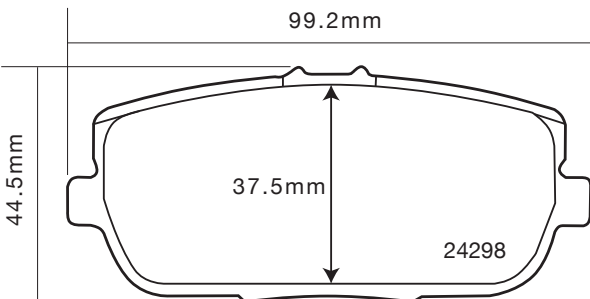


th (mm)

**07.B315.30 – 07.B315.36**

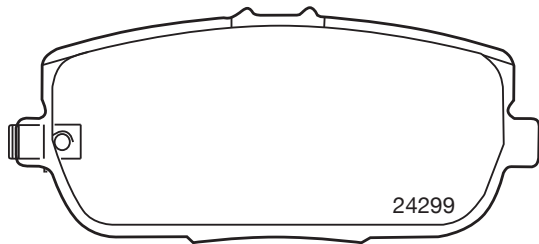


07.B315.30 th 13.7mm



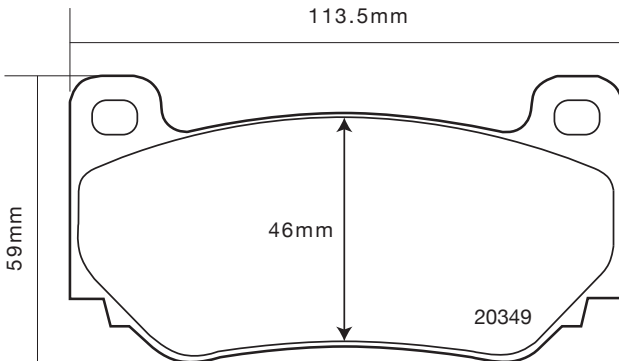
24298

07.B315.31 th 14mm



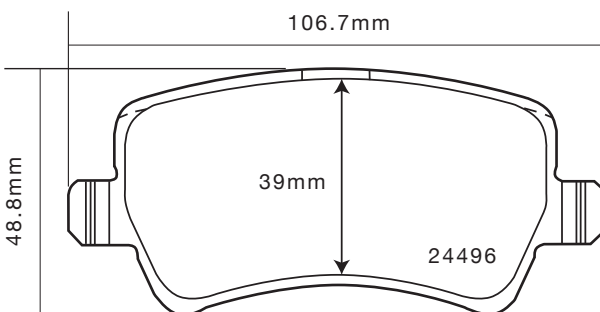
24299

07.B315.31 th 14mm



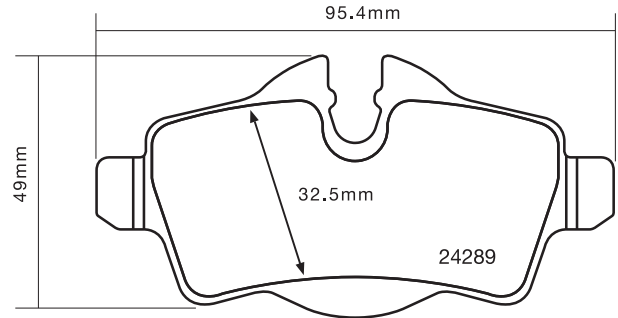
20349

07.B315.32 th 16mm



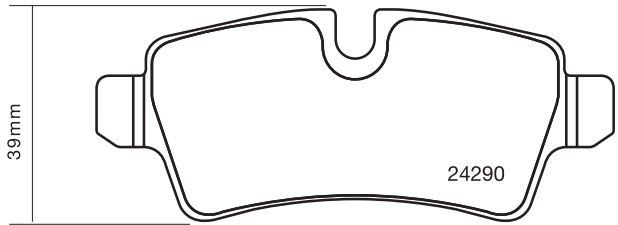
24496

07.B315.34 th 16.9mm



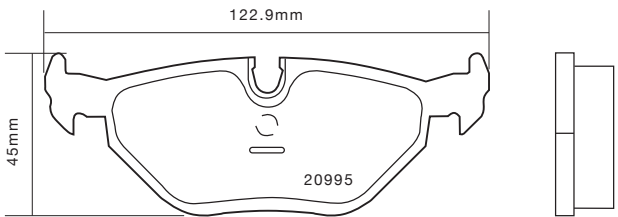
24289

07.B315.33 th 17mm



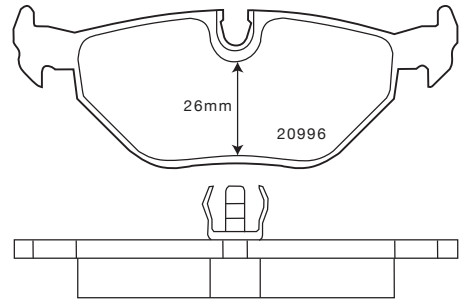
24290

07.B315.33 th 17mm



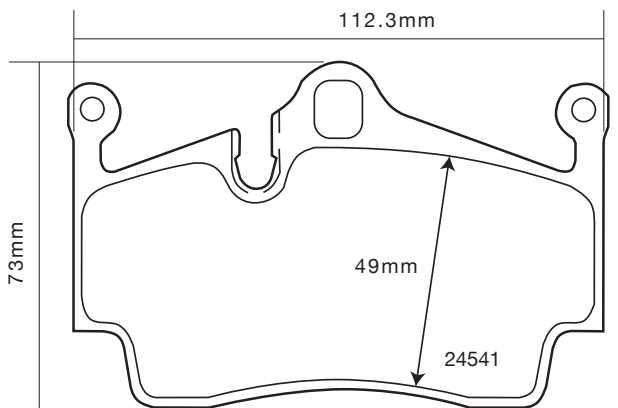
20995

07.B315.35 th 17mm



20996

07.B315.35 th 17mm

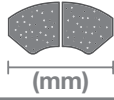


24541

07.B315.36 th 15.5mm



part number



(mm)

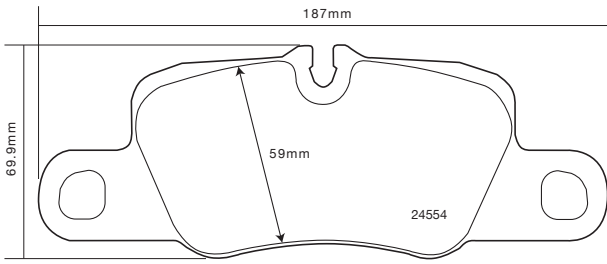


(mm)

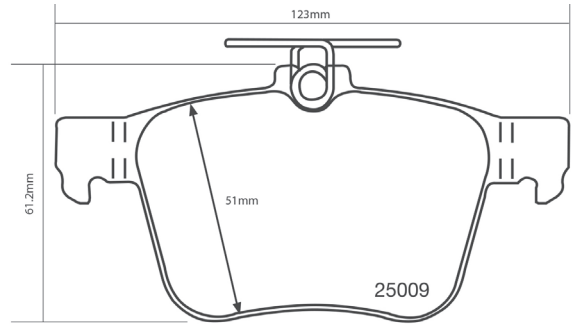


th (mm)

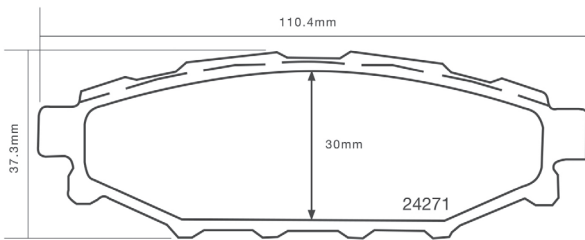
**07.B315.38 – 07.B315.44**



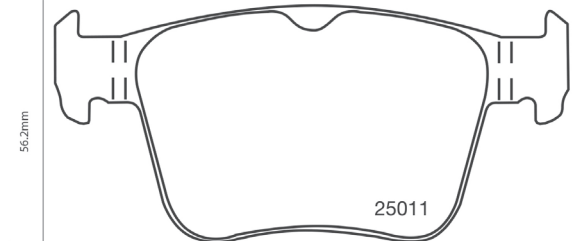
**07.B315.38 th 16mm**



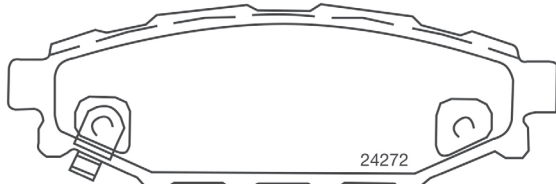
**07.B315.41 th 16.4mm**



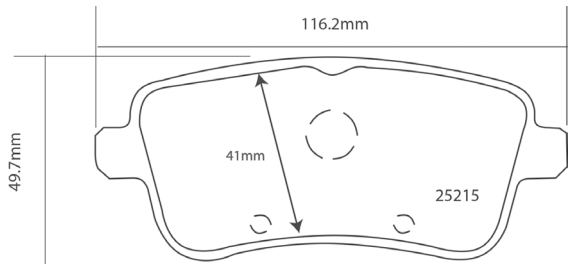
**07.B315.39 th 14.7mm**



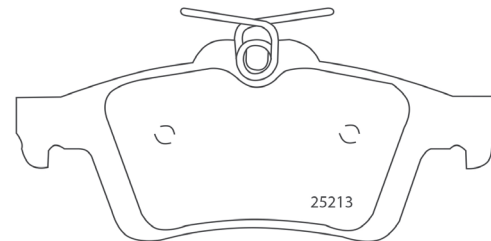
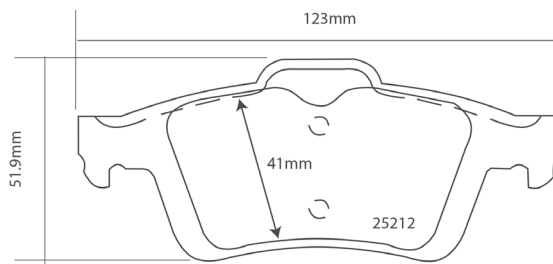
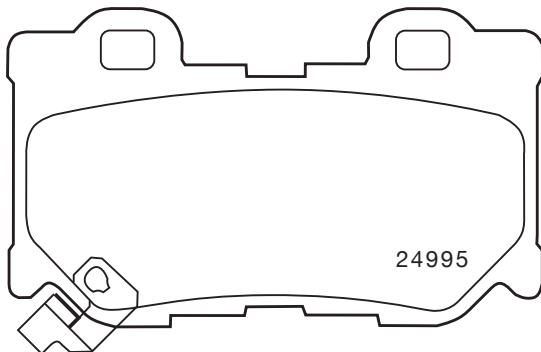
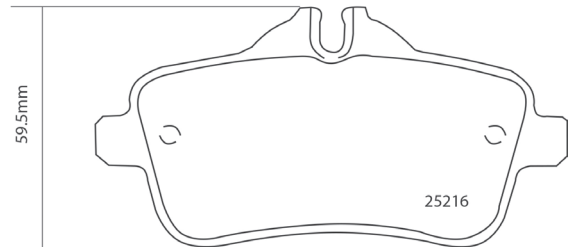
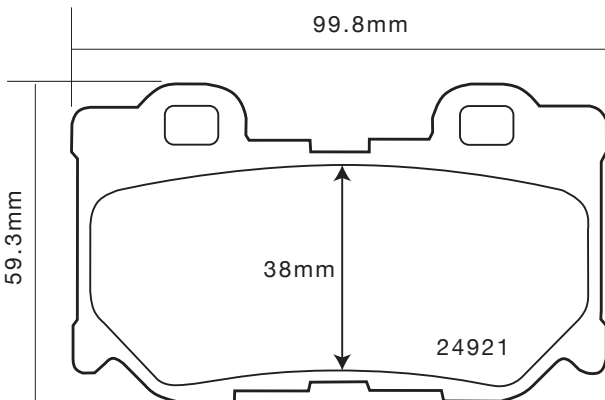
**07.B315.43 th 18.7mm**



**07.B315.40 th 13.5mm**



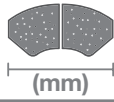
**07.B315.44 th 16.1mm**







part number



(mm)

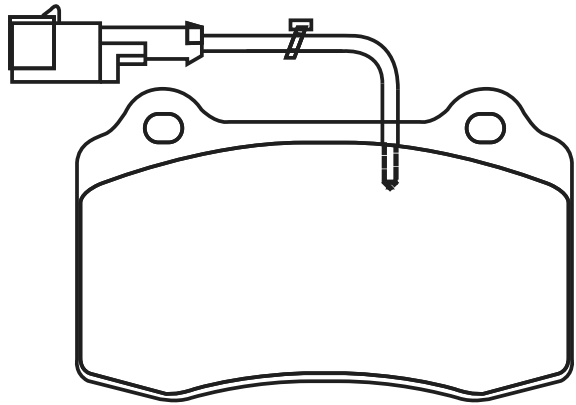
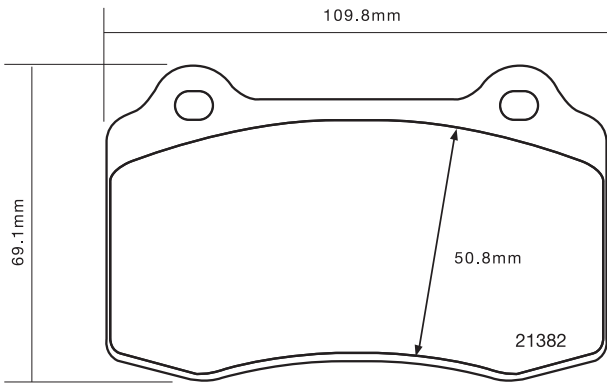


(mm)

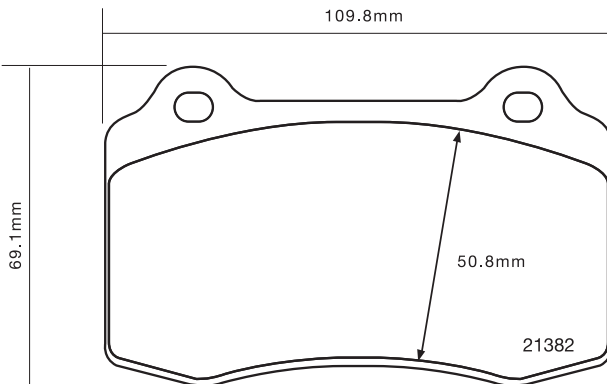


th (mm)

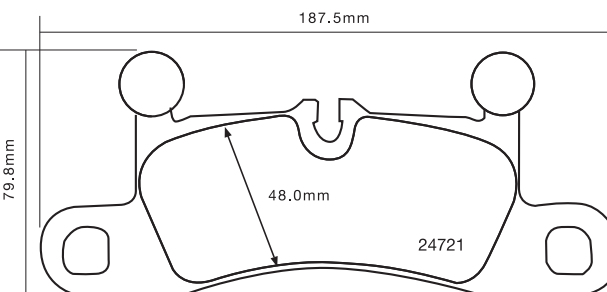
**07.B315.45 – 07.B315.56**



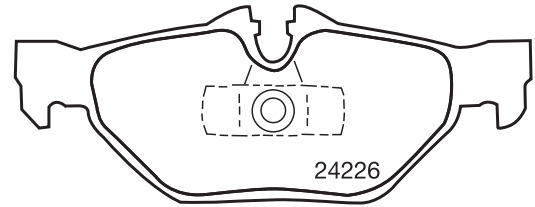
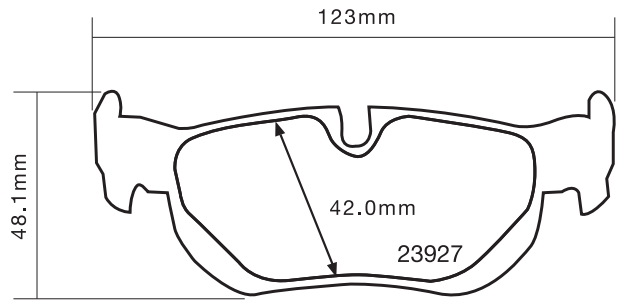
07.B315.45 th 15mm



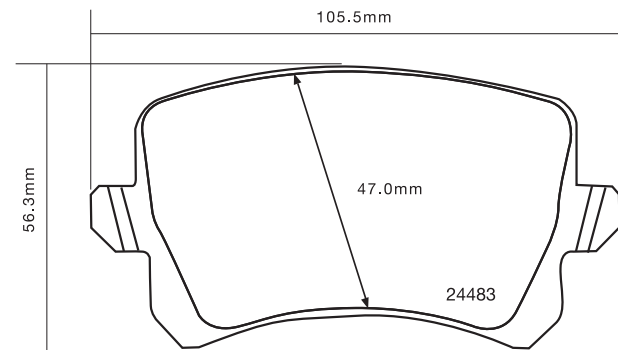
07.B315.46 th 15mm



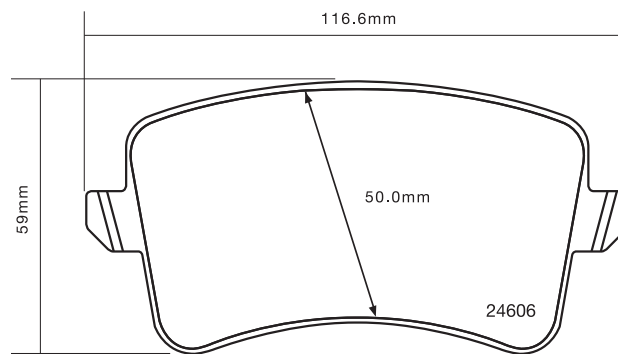
07.B315.47 th 17.1mm



07.B315.50 th 17.3mm



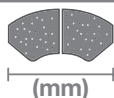
07.B315.55 th 17.2mm



07.B315.56 th 17.7mm



part number



(mm)

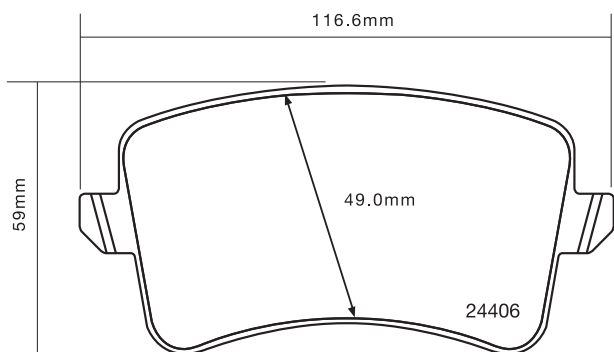


(mm)

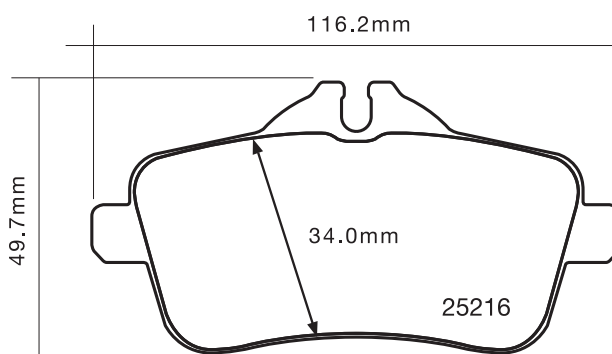
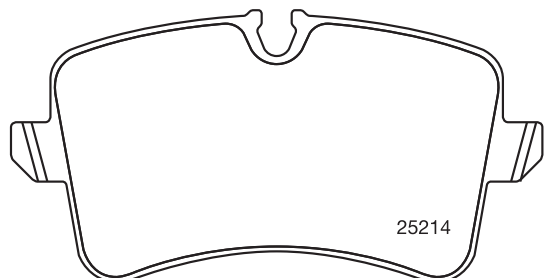


th (mm)

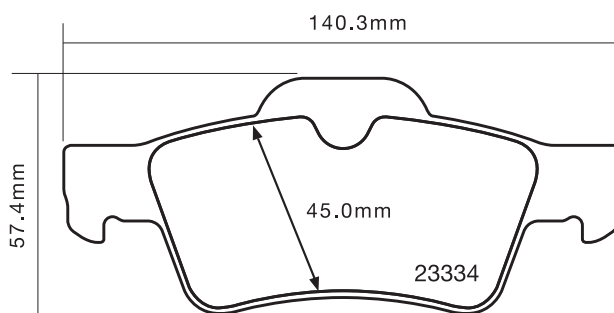
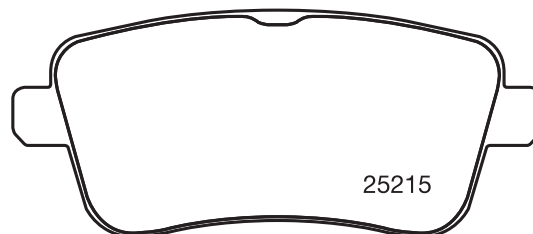
**07.B315.57 - 07.B315.77**



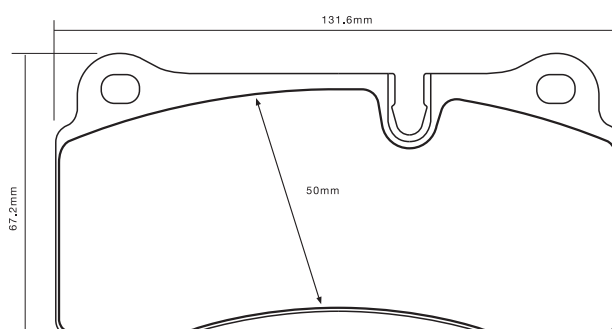
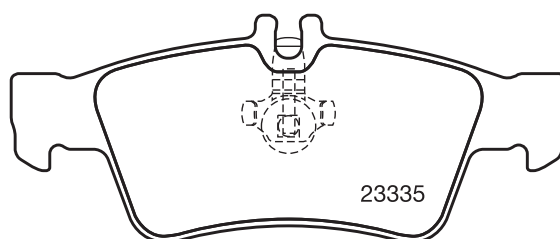
07.B315.57 th 17.5mm



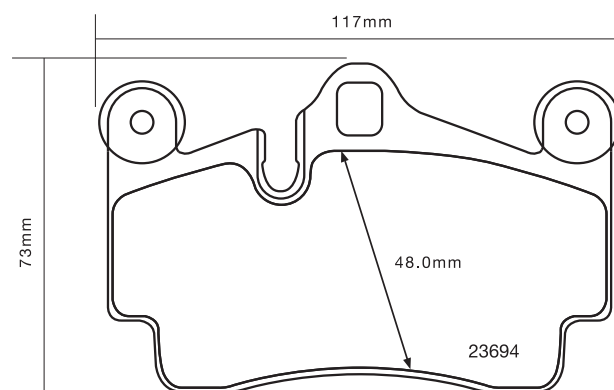
07.B315.72 th 18.7mm



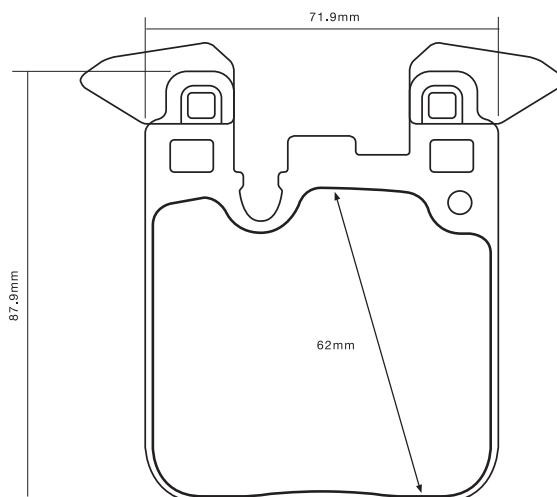
07.B315.61 th 16.8mm



07.B315.73 th 18mm



07.B315.70 th 16.7mm



07.B315.77 th 16.8mm

# CROSS REFERENCE OF BREMBO PERFORMANCE AND BREMBO AFTERMARKET PART NUMBERS

## FRONT

HPK P/N	Brembo AM P/N
07.B314.01	P 85 078
07.B314.02	P 06 041
07.B314.03	P 85 104
07.B314.04	P 23 140
07.B314.05	P 24 161
07.B314.06	P 49 020
07.B314.07	P 49 029
07.B314.08	P 49 034
07.B314.09	P 54 030
07.B314.10	P 56 025
07.B314.11	P 61 068
07.B314.12	P 65 005
07.B314.13	P 85 094
07.B314.14	P 65 006
07.B314.15	P 65 009
07.B314.16	P 65 011
07.B314.17	P 65 032
07.B314.18	P 65 007
07.B314.19	P 65 016
07.B314.20	P 85 065
07.B314.21	P 23 117
07.B314.22	P 78 007
07.B314.23	P 78 010
07.B314.24	P 83 028
07.B314.25	P 83 107
07.B314.26	P 59 045
07.B314.27	P 85 045
07.B314.28	P 23 060
07.B314.29	P 23 077
07.B314.30	P 36 018
07.B314.31	P 06 024
07.B314.32	P 06 012
07.B314.33	P 06 035
07.B314.34	P 06 036
07.B314.35	P 06 046
07.B314.36	P 06 018
07.B314.37	P 61 054
07.B314.38	P 61 066
07.B314.39	P 23 074
07.B314.40	P 23 137
07.B314.41	P 24 057
07.B314.42	P 24 058
07.B314.44	P 28 026
07.B314.45	P 28 032
07.B314.46	P 06 030
07.B314.47	P 06 051
07.B314.48	P 23 078
07.B314.49	P 56 047
07.B314.50	P 68 014
07.B314.51	P 54 039
07.B314.52	P 85 075
07.B314.53	P 85 072
07.B314.54	P 85 045

HPK P/N	Brembo AM P/N
07.B314.55	P 85 079
07.B314.56	P 85 077
07.B314.57	P 44 015
07.B314.58	n/a
07.B314.59	n/a
07.B314.60	P 49 017
07.B314.61	n/a
07.B314.62	n/a
07.B314.63	n/a
07.B314.65	n/a
07.B314.66	P 65 026
07.B314.67	P 65 021
07.B314.69	P 85 026
07.B314.70	P 85 035
07.B314.71	P 85 056
07.B314.72	P 37 018
07.B314.73	P 78 021
07.B314.74	P 06 068
07.B314.75	P 56 089
07.B314.76	P 65 025
07.B314.77	n/a
07.B314.79	P 23 148
07.B314.80	P 23 134
07.B314.81	P 85 144
07.B314.82	P 06 040
07.B314.83	P 85 116
07.B314.84	P 06 067, P 06 034
07.B314.85	P 65 015, P 65 014
07.B314.86	P 65 019, P 65 018
07.B314.90	P 06 096, P 06 088
07.B314.91	n/a
07.B314.92	P 85 115
07.B314.93	P 85 126
07.B314.94	P 50 097, P 50 098, P 50 121
07.B314.95	n/a
07.B314.98	P 06 075
07.B314.99	P 06 055
07.D435.01	P 06 076
07.D435.04	P 85 112
07.D435.12	P 50 108
07.D435.19	P 50 127
07.D435.36	P 85 065

## REAR

HPK P/N	Brembo AM P/N
07.B315.00	P 85 076
07.B315.01	P 06 044
07.B315.02	P 06 026
07.B315.03	P 06 059
07.B315.04	P 24 075
07.B315.05	P 28 039
07.B315.06	P 59 026
07.B315.07	P 49 021
07.B315.08	P 49 030
07.B315.09	P 49 035
07.B315.10	P 06 032
07.B315.11	P 54 052
07.B315.12	P 30 003
07.B315.13	P 61 032
07.B315.14	P 65 008
07.B315.15	P 65 012
07.B315.16	P 85 070
07.B315.17	P 78 011
07.B315.18	P 78 005
07.B315.19	P 56 054
07.B315.20	P 83 098
07.B315.21	P 10 013
07.B315.22	P 85 095
07.B315.23	P 23 065
07.B315.24	P 23 026
07.B315.25	P 85 017
07.B315.26	P 06 025
07.B315.27	P 59 025
07.B315.30	P 23 064
07.B315.31	P 49 044
07.B315.32	n/a
07.B315.33	P 06 052
07.B315.34	P 24 078
07.B315.35	P 06 011
07.B315.36	P 65 028
07.B315.38	P 65 029, P 65 020
07.B315.39	P 78 020
07.B315.40	P 56 095
07.B315.41	P 85 125
07.B315.43	P 50 099
07.B315.44	P 24 148
07.B315.45	n/a
07.B315.46	n/a
07.B315.47	P 65 027
07.B315.50	P 06 038
07.B315.55	P 85 109
07.B315.56	P 85 100
07.B315.57	P 85 119
07.B315.61	P 50 052
07.B315.66	P 50 122
07.B315.70	P 85 070
07.B315.72	P 50 100
07.B315.73	n/a



# RECOMMENDED BRAKE PAD BEDDING PROCEDURE

## **For information**

It is very important to follow proper brake bedding procedure following installation. This is necessary not only for optimum performance of the system, but also to avoid onset of judder (vibration felt through brake and steering).

When fitting pads to used discs, the discs must be in good condition and be within the original manufacturer's manufacturing tolerances. In case of any doubt, new discs should be fitted.

Be aware that with new brake system components, the braking performance will be reduced until the pads and discs are fully bedded. Use extreme caution while driving the vehicle under these conditions. If done on public roads obey all traffic laws and do not endanger yourself or others.

The purpose of this procedure is to gradually increase the temperature in the components without thermal shock and to mate the brake pad and disc friction surfaces, generating a uniform transfer layer.

Perform at least 20 brake applications using medium deceleration (approximately 60% of maximum) starting from 60mph and slowing to 20mph. Do not come to a stop. Accelerate back to the starting speed allowing 20-30 seconds before beginning the next brake application. After completion, drive the vehicle for at least 5 minutes with little or no braking in order to adequately cool the components.

When it can be done legally, or on a closed circuit, a secondary bedding operation is beneficial. Repeat the above procedure for 5 to 10 brake applications increasing the starting speed to 80mph and increasing the deceleration rate to 80% of maximum. After completion, drive the vehicle for at least 10 minutes with little or no braking in order to adequately cool the components.

The system is now ready for normal use. This entire procedure must be complete before driving the vehicle as normal. It is especially important that this process is completed before any extended same-speed driving is done (i.e. Motorway travel). Failure to follow these instructions greatly increases the likelihood of judder development.

## DISCLAIMER OF WARRANTY

### **Warning**

Installation of these pads should only be performed by person experienced in the installation and proper operation of brake system. These are high performance components which will not function as intended if misused or if not installed properly to the correct specifications. It is the responsibility of the person installing any brake component to determine the suitability of the component for that particular application.

By purchasing this product and opening this box purchasers expressly acknowledge, understand and agree that they take, select and purchase these pads from Brembo, its affiliates, distributors and agents (collectively, "Brembo") "AS IS" and "WITH ALL FAULTS". The entire risk as to the quality and performance of these pads is with the purchasers. Should the goods prove defective following their purchase, the purchasers assume the entire cost for all necessary servicing or repair or any resulting liability. Brembo makes no warranties whatsoever, expressed or implied, oral or written, to purchasers or any users of these products, Brembo expressly disclaims any implied warranty of merchantability or warranty of fitness for a particular purpose, including fitness of these pads. By purchasing this product and opening this box, purchasers expressly acknowledge that Brembo does not make or cause to make any representation or promise to purchasers which relate to the brake pads, that becomes part of the basis of the bargain between Brembo and purchasers. Purchasers expressly affirm that they are relying upon their own skill and judgement in selecting and purchasing these goods as suitable for purchaser

intended use. Purchasers understand and agree that no officer/director, salesperson, distributor or agent of Brembo has any authority to make any statement contrary to the terms of this disclaimer and agreement. On the contrary, Brembo disavows any statement contrary to what is written above. In the event that any person expressly or impliedly cause representations or statements contrary to this disclaimer of all warranties, expressed or implied, then such person shall indemnify and hold harmless Brembo in the event of any claim, liability, demand, legal action or proceeding against, or cost or expense incurred by, Brembo as a result thereof.







**Brembo S.p.A.**

Via Brembo 25  
24035 Curno (BG) - Italy  
Tel.: +39 035 605 1111  
Fax: +39 035 605 2766  
HighPerformance@brembo.it

SPAD19-A

[www.brembo.com](http://www.brembo.com)

